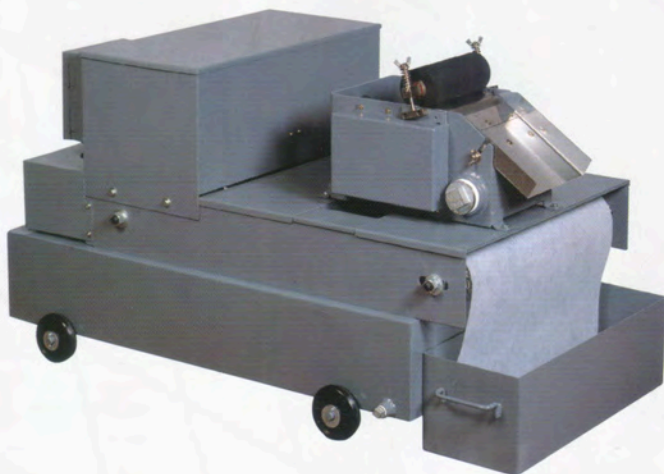


## Coolant Filtration System

is the very first and leading manufacturer in providing solutions for coolant filtration and management in metalworking arena in Taiwan.



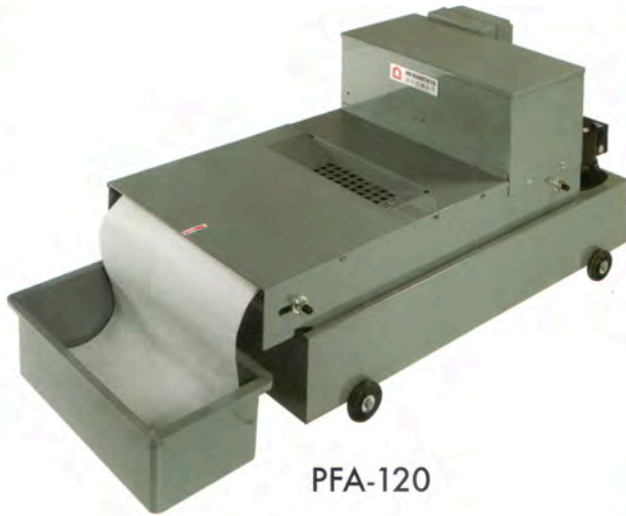
### Magnetic Separator & Paper Filter

Combine Magnetic Separator and Paper Filter and be able to filter ferrous and non-ferrous particles. Use Magnetic Separator as pre-filter to remove large and ferrous particles to save cost on filter paper and increase filtration fineness.

**MPFA-60**

**UNI MAG**





PFA-120

**APPLICATION:**

- |                                       |                           |
|---------------------------------------|---------------------------|
| 1. Surface Grinding Machine           | 5. Tread Grinding Machine |
| 2. Centerless Grinding Machine        | 6. Gear Grinding Machine  |
| 3. Internal/External Grinding machine | 7. Polisher               |
| 4. Honing machine                     |                           |

## PFA

### PAPER FILTER

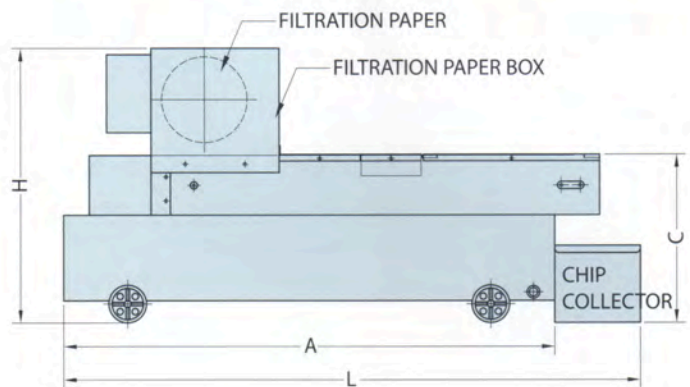
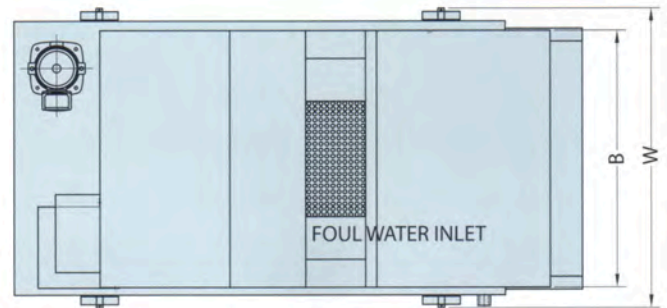
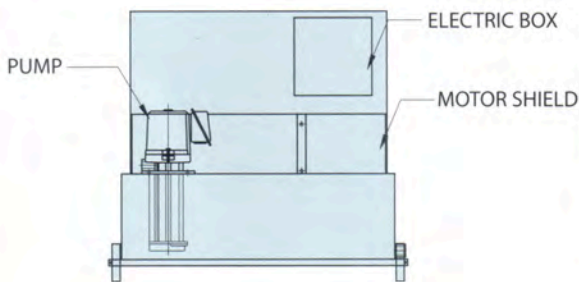
#### FEATURES:

1. Applicable to both ferrous and non-ferrous particles.
2. Filter paper moves forward automatically when contaminants accumulate and clog it.
3. Filtration effect depends on paper accuracy. Choose from 50 $\mu$ , 30 $\mu$  and 15 $\mu$ .
4. Not suitable for heavy machining for the sake of paper consumption. Use magnetic separator as pre-filter to reduce paper consumption.

#### Remark:

1. Standard accessory: one paper roll.
2. Special specification is available.

#### DIMENSION DIAGRAM



#### SPECIFICATION

MODEL	CAPACITY L/MIN	TANK VOL. (L)	L	A	B	C	W	H	PUMP (HP)		MOTOR	FILTER PAPER	Note
									HP	OUTLET			
PFA-20	20	100	1050	850	600	400	720	660	1/8	PF1/2"	25W	W: 500MM L: 90M	WHEEL
PFA-40	40	120	1200	1000	600	400	720	660	1/8	PF1/2"	25W		
PFA-60	60	140	1350	1150	600	400	720	660	1/8	PF1/2"	25W		
PFA-80	80	160	1500	1300	600	400	720	660	1/4	PF3/4"	25W		
PFA-120	120	210	1500	1300	800	400	920	740	1/2	PF3/4"	40W	W: 700MM L: 90M	
PFA-160	160	260	1800	1600	800	400	920	740	1/2	PF3/4"	40W		
PFA-240	240	440	1550	1350	1060	430	1330	740	1	PF1"	60W	W: 1000MM L: 90M	NO WHEEL
PFA-360	360	640	2150	1950	1060	430	1330	740	1	PF1"	60W		
PFA-500	500	980	3240	2950	1060	430	1330	740	1X2	PF1"X2	60W		

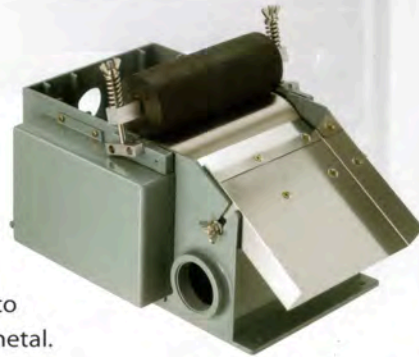


# MCA

## MAGNETIC SEPARATOR

### FEATURES:

1. Most economical application to heavy machining for ferrous metal.
2. No filter media consumption. Serve as rough filtration in process.



MCA-60



MCA-500

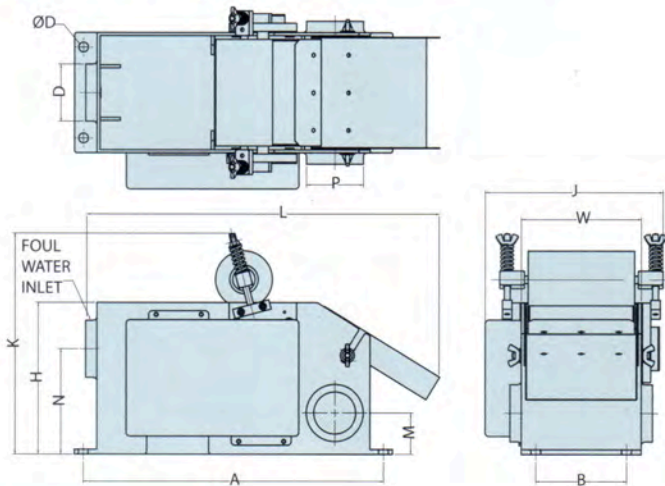
### Remark:

1. Standard accessories:
  - a. Sludge box 1pc
  - b. Plugs 2 pcs
  - c. Elbow 1 pc
  - d. Steel Tube 3pcs
2. Custom specification is available.

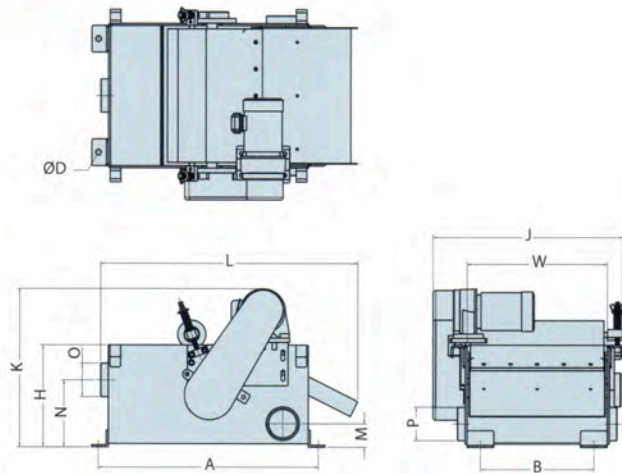
### APPLICATION:

- |                                       |                           |
|---------------------------------------|---------------------------|
| 1. Surface Grinding Machine           | 5. Tread Grinding Machine |
| 2. Centerless Grinding Machine        | 6. Gear Grinding Machine  |
| 3. Internal/External Grinding machine | 7. Polisher               |
| 4. Honing machine                     |                           |

### DIMENSION DIAGRAM MCA-20~160



### DIMENSION DIAGRAM MCA-240~500



### SPECIFICATION

MODEL	CAPACITY L/MIN	L	W	H	M	N	A	B	D	J	X	INLET O	OUTLET P	MOTOR
MCA-20	20	464	130	205	65	145	398	100	11	230	300	PF1 1/2"	PF1 1/2"	220V 3Ø 25W
MCA-40	40	464	150	205	65	145	398	120	11	250	300	PF 2"	PF 2"	220V 3Ø 25W
MCA-60	60	464	206	205	60	150	398	176	11	306	300	PF 2"	PF 2"	220V 3Ø 25W
MCA-80	80	464	242	205	60	150	398	212	11	342	300	PF 2"	PF2 1/2"	220V 3Ø 25W
MCA-120	120	530	270	245	68	185	456	230	11	380	345	PF 3"	PF 3"	220V 3Ø 40W
MCA-160	160	530	354	245	68	185	456	314	11	464	345	PF 3"	PF 3"	220V 3Ø 40W
MCA-240	240	820	420	305	70	200	660	340	17	585	480	PF 3"	PF 3"	220V 3Ø 100W
MCA-360	360	820	620	305	80	200	660	540	17	785	480	PF 4"	PF 4"	220V 3Ø 100W
MCA-500	500	820	820	305	90	200	660	740	17	985	480	PF 5"	PF 5"	220V 3Ø 100W
MCA-800	800	820	1220	305	90	200	660	1140	17	1385	480	PF 5"	PF 5"	220V 3Ø 200W
MCA-1000	1000	970	1520	405	110	285	810	1440	17	1385	580	PF 6"	PF 6"	220V 3Ø 200W





MPFA-60

## MPFA

### MAGNETIC SEPARATOR & PAPER FILTER

#### FEATURES:

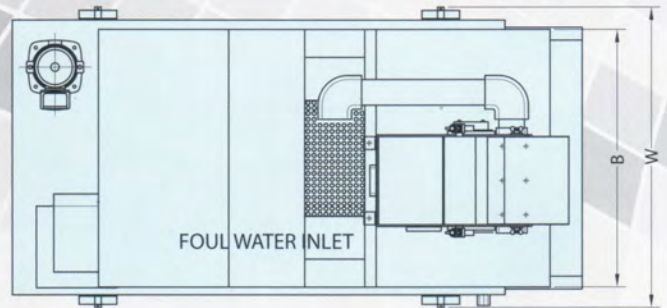
1. Applicable to both ferrous and non-ferrous particles.
2. Filtration effect depends on paper accuracy.  
Choose from 50 $\mu$ , 30 $\mu$  and 15 $\mu$ .
3. Rough filtration for ferrous particle by magnetic separator and fine filtration for non-ferrous or smaller particle by paper filter.

#### Remark:

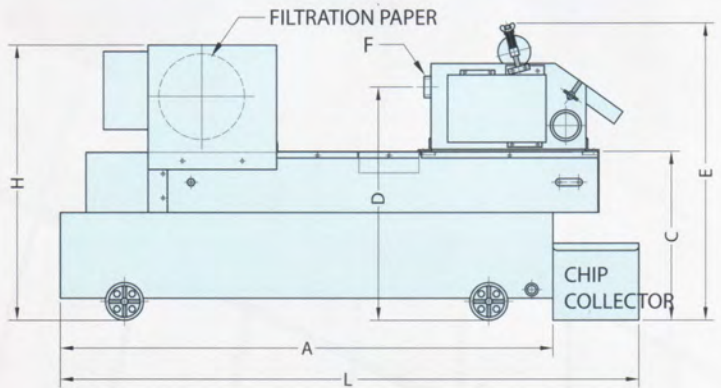
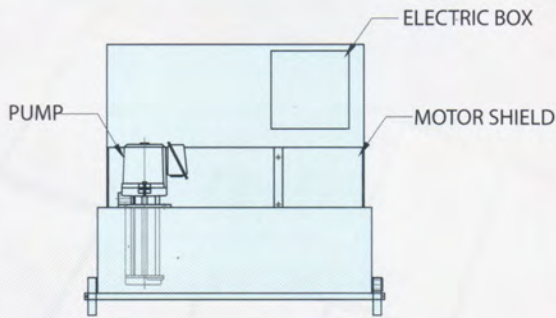
1. Standard accessory: one paper roll.
2. Special specification is available.

#### APPLICATION:

- |                                       |                           |
|---------------------------------------|---------------------------|
| 1. Surface Grinding Machine           | 5. Tread Grinding Machine |
| 2. Centerless Grinding Machine        | 6. Gear Grinding Machine  |
| 3. Internal/External Grinding machine | 7. Polisher               |
| 4. Honing machine                     |                           |



#### DIMENSION DIAGRAM – MPFA



#### SPECIFICATION

MODEL	CAPACITY L/MIN	TANK VOL. (L)	L	A	B	C	D	E	F	H	W	PUMP (HP)		MOTOR	FILTER PAPER	Note	
												HP	OUTLET				
MPFA-20	20	100	1050	850	600	400	550	705	PF1 1/2"	660	720	1/8	PF1/2"	25W	W: 500MM L: 90M	WHEEL	
MPFA-40	40	120	1200	1000	600	400	550	705	PF2"	660	720	1/8	PF1/2"	25W			
MPFA-60	60	140	1350	1150	600	400	555	705	PF2"	660	720	1/8	PF1/2"	25W			
MPFA-80	80	160	1500	1300	600	400	555	705	PF2"	660	720	1/4	PF3/4"	25W			
MPFA-120	120	210	1500	1300	800	400	590	750	PF3"	740	920	1/2	PF3/4"	40W	W: 700MM	L: 90M	
MPFA-160	160	260	1800	1600	800	400	605	750	PF3"	740	920	1/2	PF3/4"	40W			
MPFA-240	240	440	1550	1350	1060	430	640	915	PF3"	740	1330	1	PF1"	60W	W: 1000MM L: 90M	NO WHEEL	
MPFA-360	360	640	2150	1950	1060	430	640	915	PF4"	740	1330	1	PF1"	60W			
MPFA-500	500	980	3240	2950	1060	430	640	915	PF5	740	1330	1X2	PF1"X2	60W			



**OILSERVE**

บริษัท ออยเซอร์ฟ จำกัด  
**OILSERVE CO., LTD.**

9 ซอยทวีวัฒนา 25 แยก 7 แขวงทวีวัฒนา เขตทวีวัฒนา กรุงเทพฯ ๑๐170  
9 Soi Thawi Watthana 25 Yeak 7, Thawi Watthana, Thawi Watthana, Bangkok 10170  
Tel: (+662) 441 9247 Fax : (+662) 441 9248 TAX ID : 0105553015358  
E-mail : sales@oilserve-thai.com, oilserveco@gmail.com, www.oilserve-thai.com