



CENTRIFUGE

COOLANT CLARIFYING UNIT



AUTOMATIC TYPE
CLA-100

MANUAL TYPE



CL-50

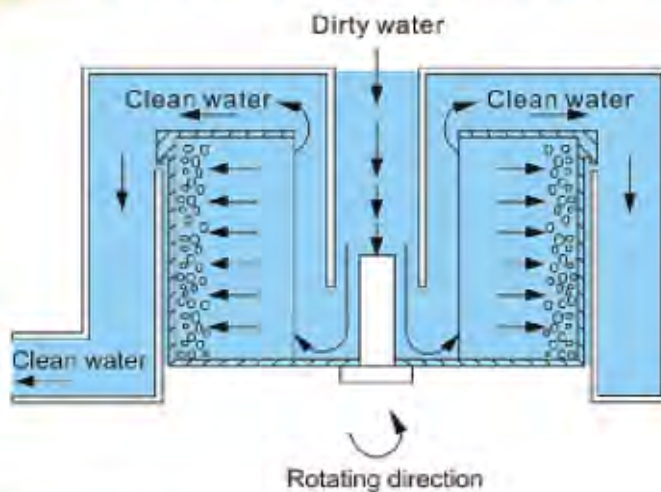
Principle:

The dirty coolant is the mixture of liquid, sludge and filings/chips of workpiece. These sludge and filings are heavier than the liquid so all the sludge and filings do precipitate to the bottom. The centrifuge is using high speed spinning container to create a centrifugal force. Injecting dirty coolant into the spinning container and the centrifugal force will pull all the sludge and filings to the wall. Clean coolant flows out to processing machine for reuse.

Features:

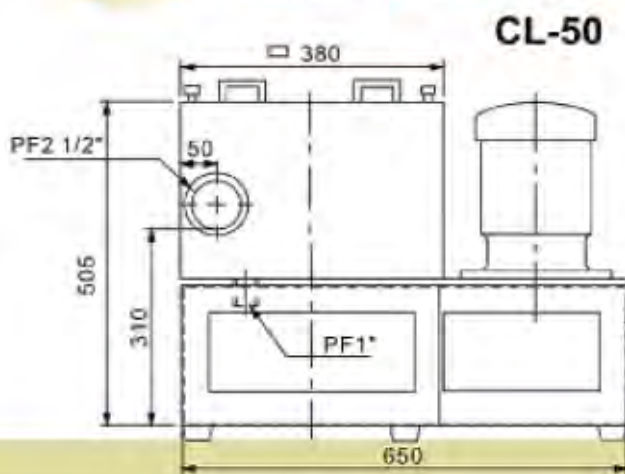
1. The centrifuge can separate water/oil from the waste, easier to trash.
2. The particle of carbon, glass, aluminum and stainless steel will be easier to filter by the centrifuge.
3. No filter media consumption.
4. In the summer season, the centrifuge is able to maintain the coolant quality and prevent corruption.
5. The centrifuge will not separate ingredient from coolant.
6. Suitable for deep hole drilling machine, honing machine, EDM, polishing machine, precision grinding machine, gear grinding machine, cleaning machine, lens grinding machine, glass processing machine and to clean the impure dust inside the hydraulic oil etc..

CONFIGURATION OF MANUAL TYPE

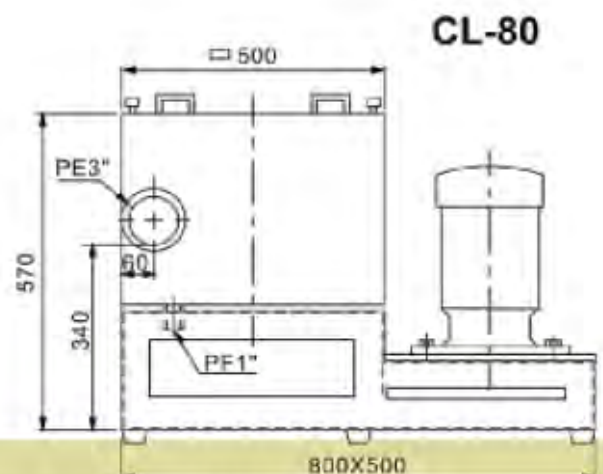


When the sludge and filings accumulate and effect the filtration, please open the top cover of the centrifuge, remove the bowl and clean it.

DIMENTIONAL DIAGRAM



Flow capacity: 50L/min
Power: 200V/220V, 50/60HZ, 1.5KW
Weight: 100kg
Rotating bowl volume: 5L

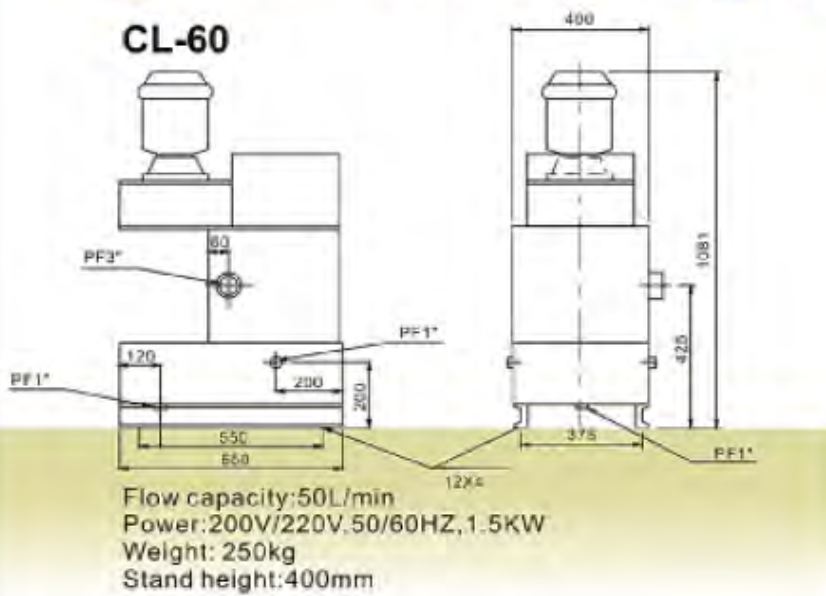


Flow capacity: 80L/min
Power: 200V/220V, 50/60HZ, 2.2KW
Weight: 180kg
Rotating bowl volume: 10L

DIMENSIONAL DIAGRAM

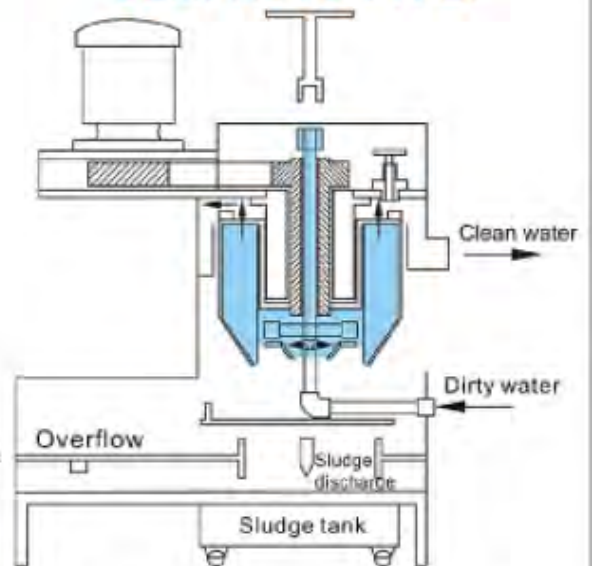
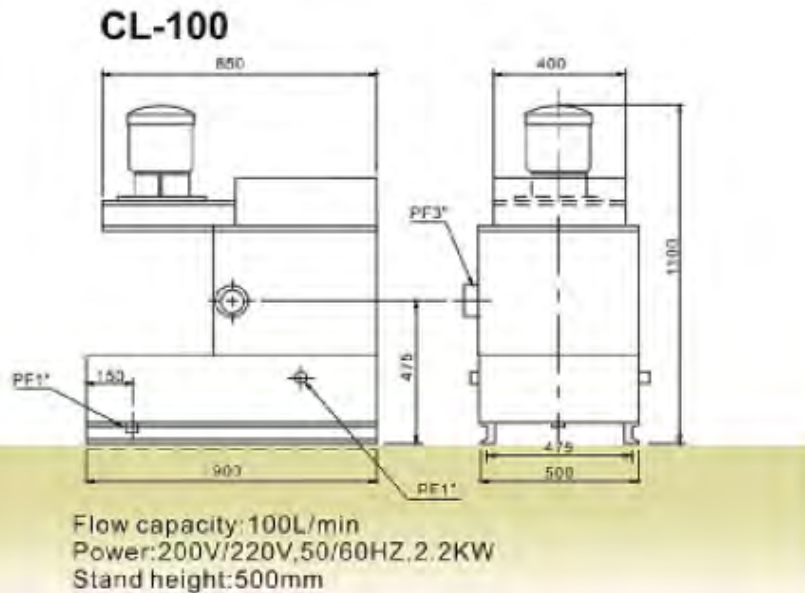
SEMI-AUTO TYPE

CL-60

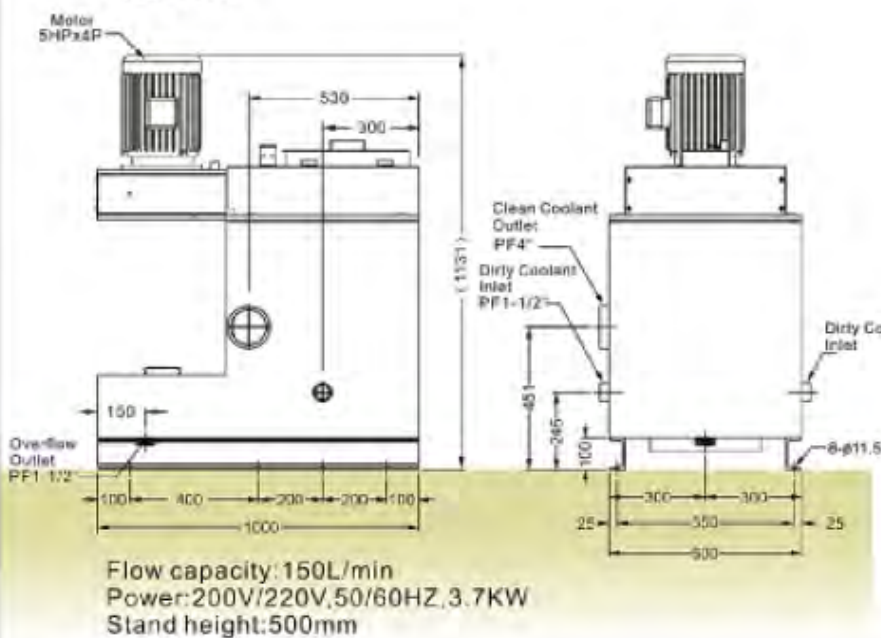


- The stand and sludge/chip tank are optional accessories

CONFIGURATION OF SEMI-AUTO TYPE:



CL-150

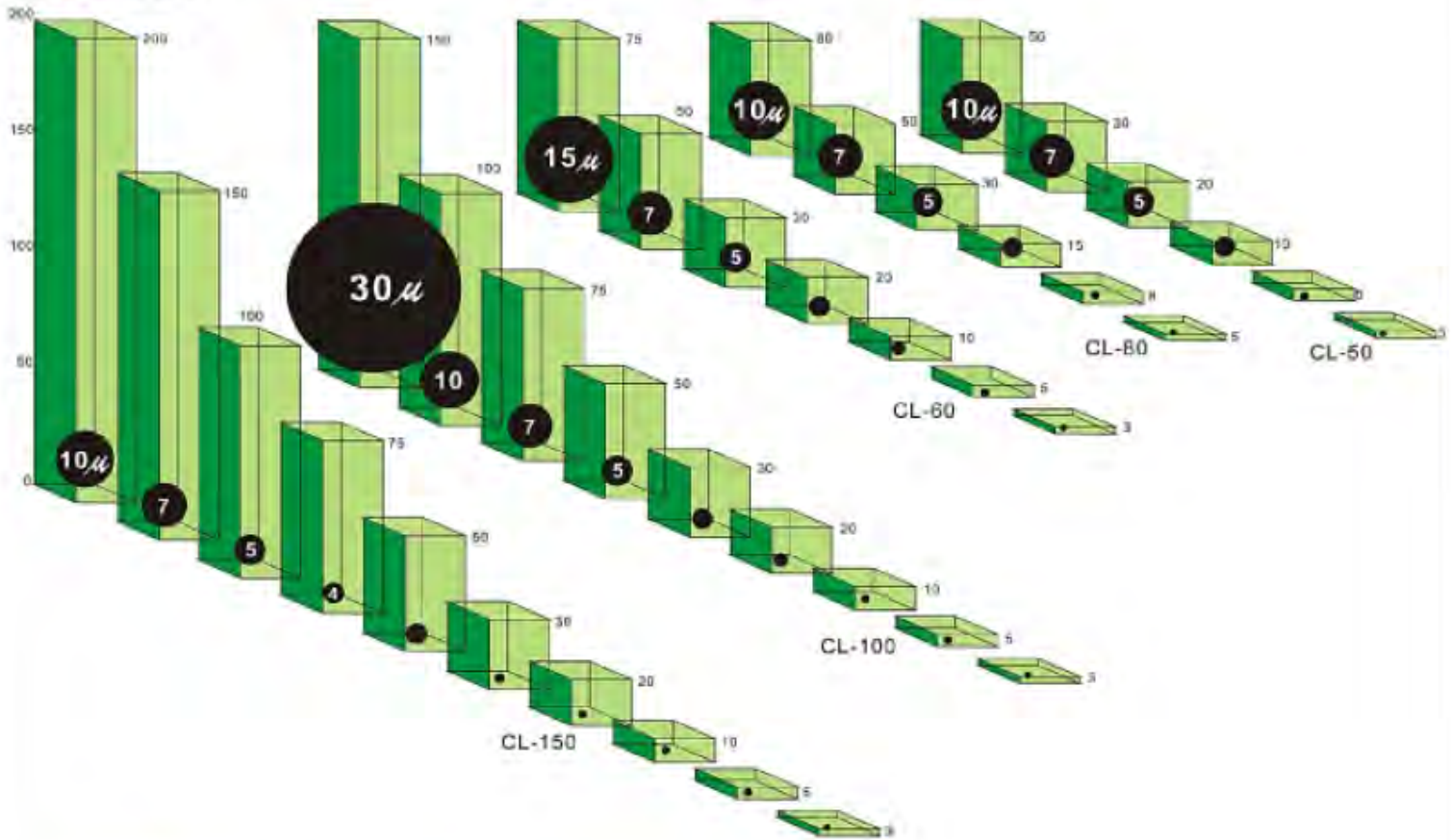


When the sludge and filings accumulate and effect the filtration, sludge and filings on the wall can be cleaned by a scraper inside of container and collected by the sludge tank underneath. It is easier to clean the Semi-auto centrifuge.

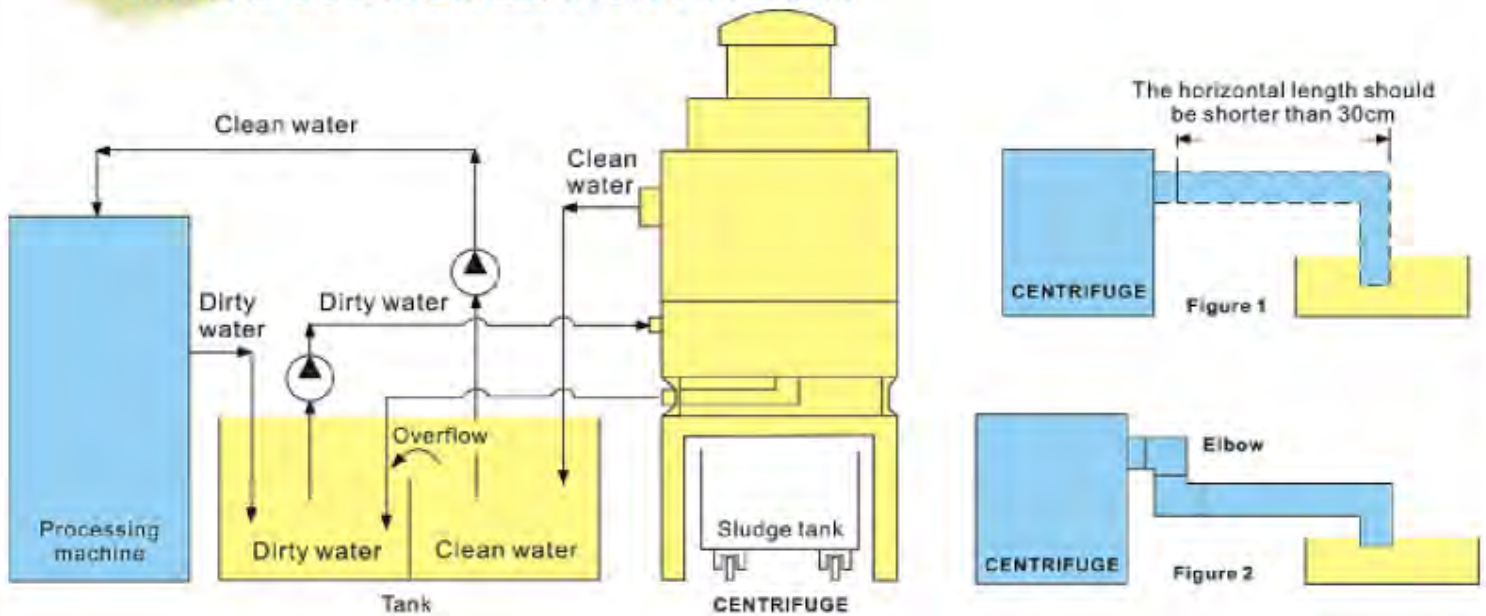
PERFORMANCE CHART

(Particle separation outcome: 95% efficiency at 10 μ and 70% efficiency at 3 μ .)

● Liter/ min



CENTRIFUGE INSTALLATION DIAGRAM



Notes

1. Shorter outlet pipe is better and should be shorter than 30cm horizontally.
2. When the outlet pipe is too long, please refer to Figure 2 to install elbow.
3. The diameter of the pipe is the bigger the better.

Distributed by:

OILSERVE

บริษัท ออยเซอร์ฟ จำกัด
OILSERVE CO., LTD.

9 ซอยทวีวัฒนา 25 แยก 7 แขวงทวีวัฒนา เขตทวีวัฒนา กรุงเทพฯ 10170
9 Soi Thawi Watthana 25 Yeak 7, Thawi Watthana, Thawi Watthana, Bangkok 10170
Tel: (+662) 441 9247 Fax: (+662) 441 9248 TAX ID: 010553015358
E-mail: sales@oilserve-thai.com, oilserveco@gmail.com, www.oilserve-thai.com

111122-500



ISO 9001
FM 518819