

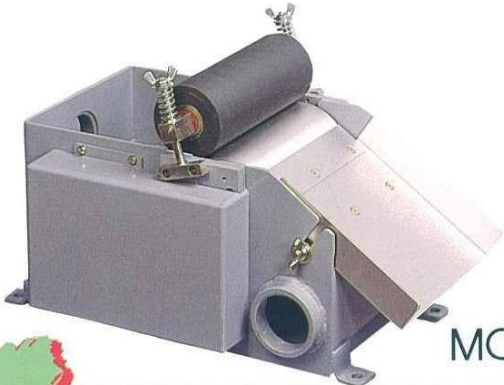
MAGNETIC SEPARATOR

FEATURES:

1. Usable in heavy machining for ferrous metal.
2. No filtration-material consumption.
3. Most economic in purchase & utilization cost.
4. Able to serve rough filtration in other filtration process.



MCA-500

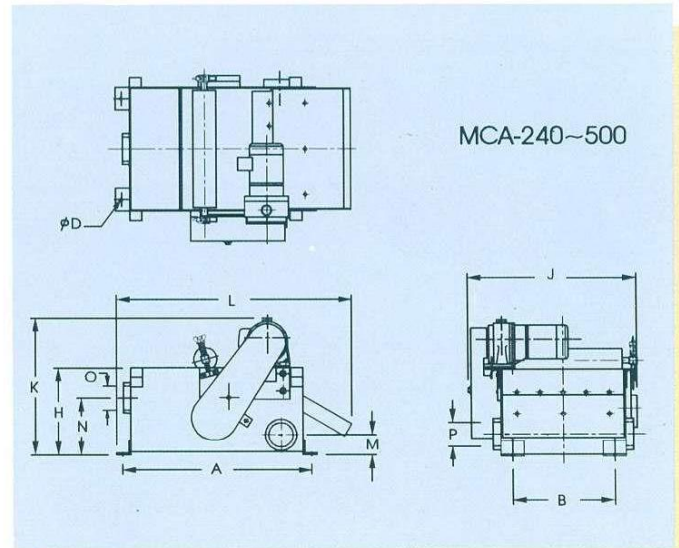
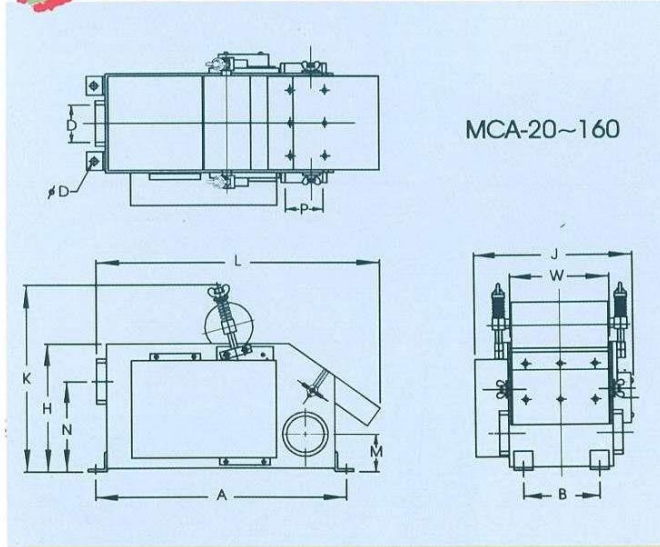


MCA-60

NOTE: 1. Standard accessories:

- | | | | |
|-------------------|------|----------------|-------|
| a. Chip collector | 1 pc | b. Plugs | 2 pcs |
| c. Elbow | 1 pc | d. Steel tubes | 3 pcs |
2. Special specifications are available.

EXTERNAL DIMENSION FIGURES



MAGNETIC SPECIFICATIONS

MODEL	DISPOSAL CAPACITY L/MIN	L	W	H	M	N	A	B	D	J	K	INLET O	OUTLET P	MOTOR
MCA-20	20	464	130	205	65	145	398	100	11	230	300	PF1-1/2"	PF1-1/2"	220V3 ϕ ,25W
MCA-40	40	464	150	205	65	145	398	120	11	250	300	PF2"	PF2"	220V3 ϕ ,25W
MCA-60	60	464	206	205	60	150	398	176	11	306	300	PF2"	PF2"	220V3 ϕ ,25W
MCA-80	80	464	242	205	60	150	398	212	11	342	300	PF2"	PF2-1/2"	220V3 ϕ ,25W
MCA-120	120	530	270	245	68	185	456	230	11	380	345	PF2-1/2"	PF3"	220V3 ϕ ,40W
MCA-160	160	530	354	245	68	185	456	314	11	464	345	PF3"	PF3"	220V3 ϕ ,40W
MCA-240	240	820	420	305	70	200	660	340	17	585	480	PF3"	PF3"	220V3 ϕ ,100W
MCA-360	360	820	620	305	80	200	660	540	17	785	480	PF4"	PF4"	220V3 ϕ ,100W
MCA-500	500	820	820	305	90	200	660	740	17	985	480	PF5"	PF5"	220V3 ϕ ,100W