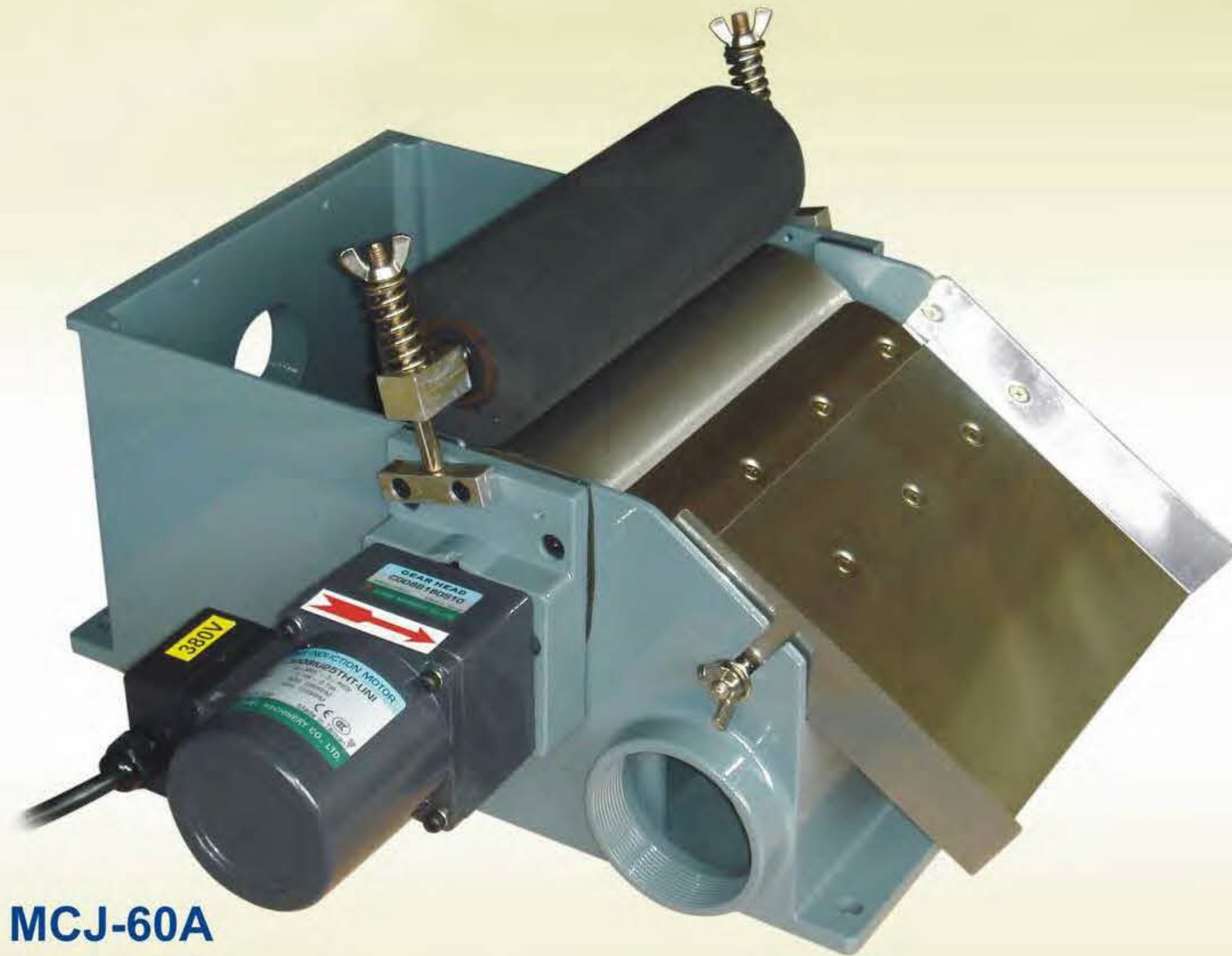




CUTTING & GRINDING COOLANT FILTRATION SYSTEM

DUCK MAGNETIC SEPARATOR

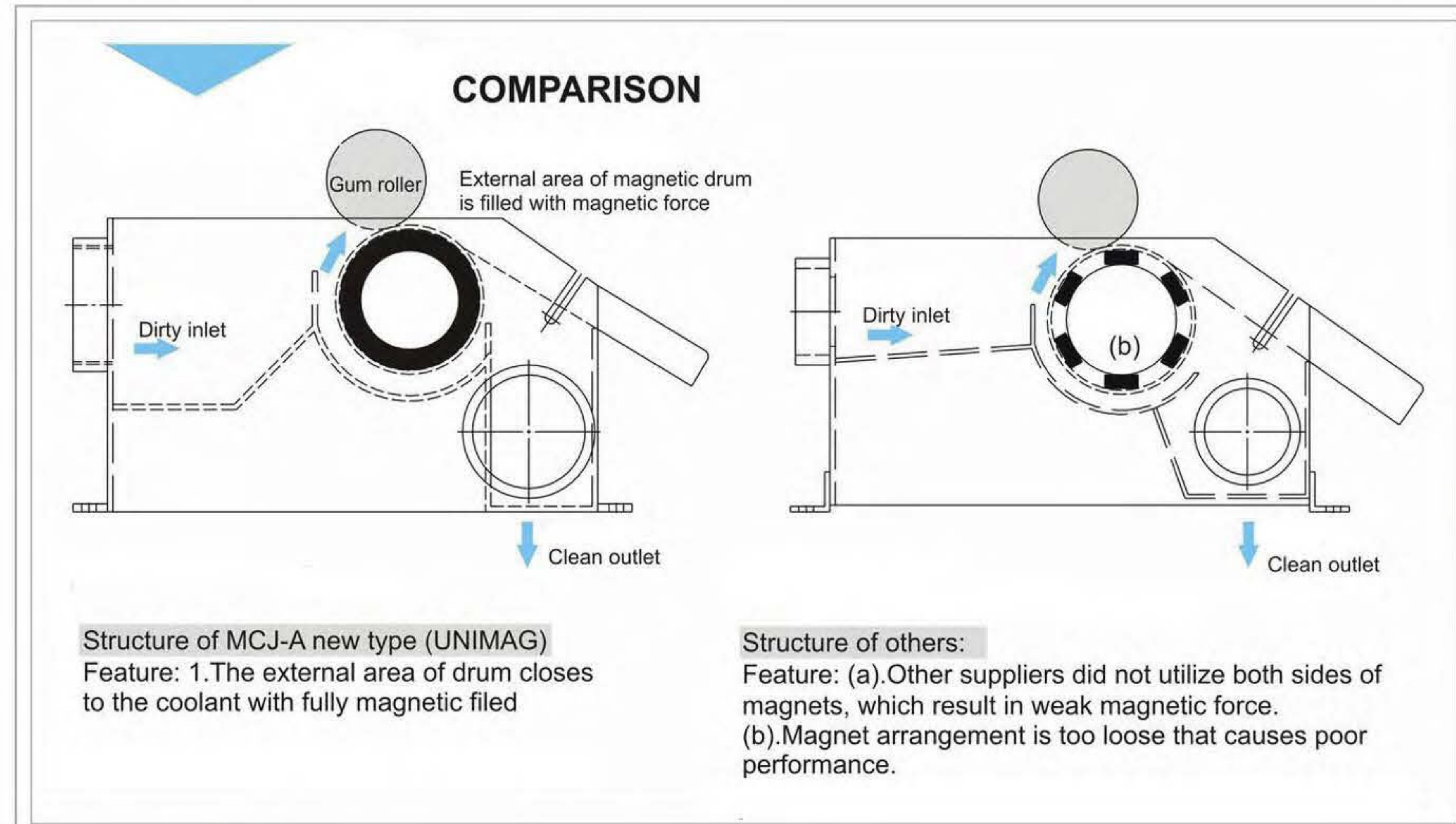


MCJ-60A

PATENT PENDING Color : RAL 7031

APPLICABLE TO MACHINES

1. Surface Grinder
2. Centerless Grinder
3. Internal / External Grinder
4. Honing Machine
5. Thread Grinding Machine
6. Gear Grinding Machine
7. Polisher



ISO 9001
FM 518819

Distributor

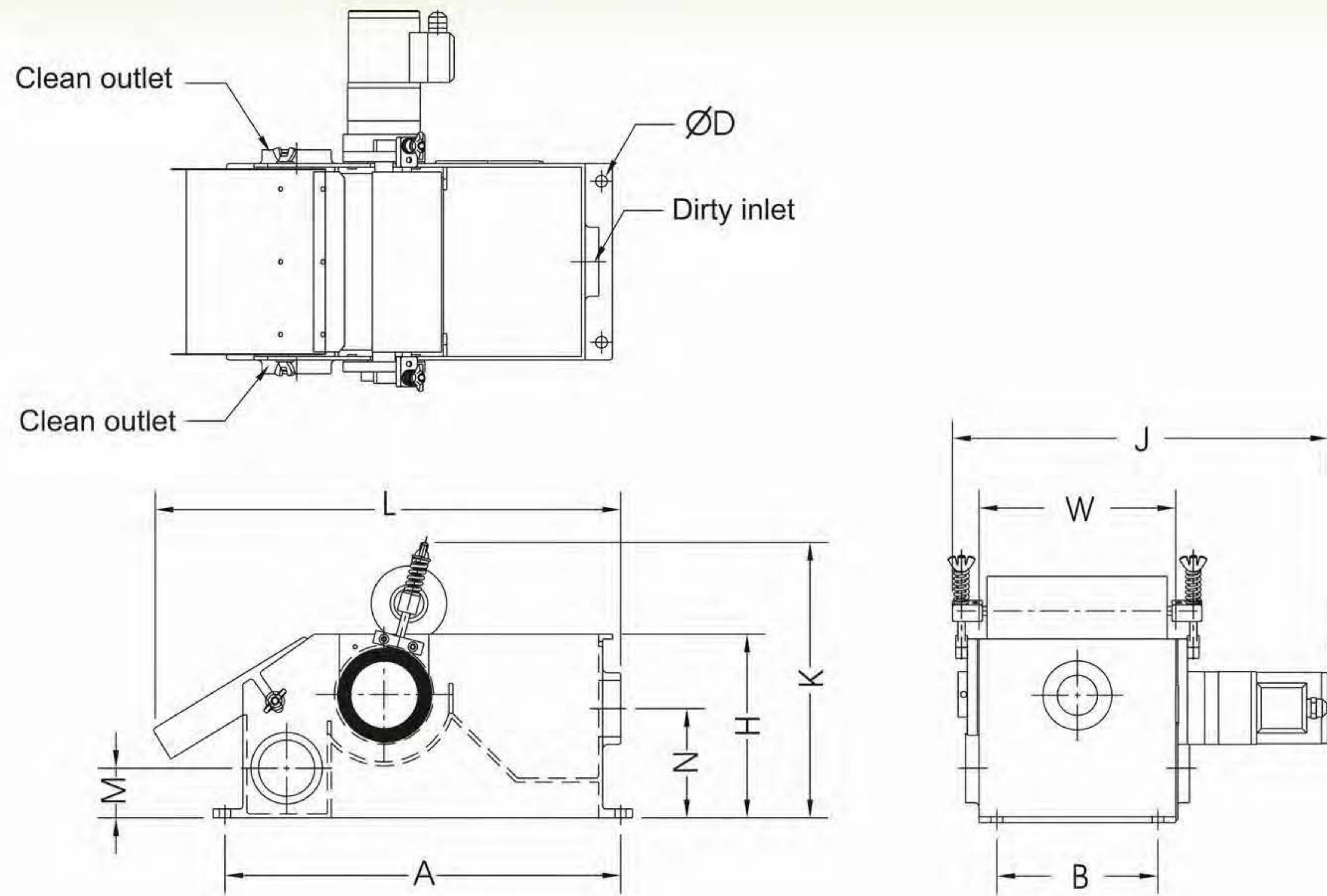


บริษัท ออยเซิร์ฟ จำกัด
OILSERVE CO., LTD.

9 ซอยทวีวัฒนา 25 แยก 7 แขวงทวีวัฒนา เขตทวีวัฒนา กรุงเทพฯ 10170
 9 Soi Thawi Watthana 25 Yeak 7, Thawi Watthana, Thawi Watthana, Bangkok 10170
 Tel: (+662) 441 9247 Fax : (+662) 441 9248 TAX ID : 0105553015358
 E-mail : sales@oilserve-thai.com, oilserveco@gmail.com, www.oilserve-thai.com

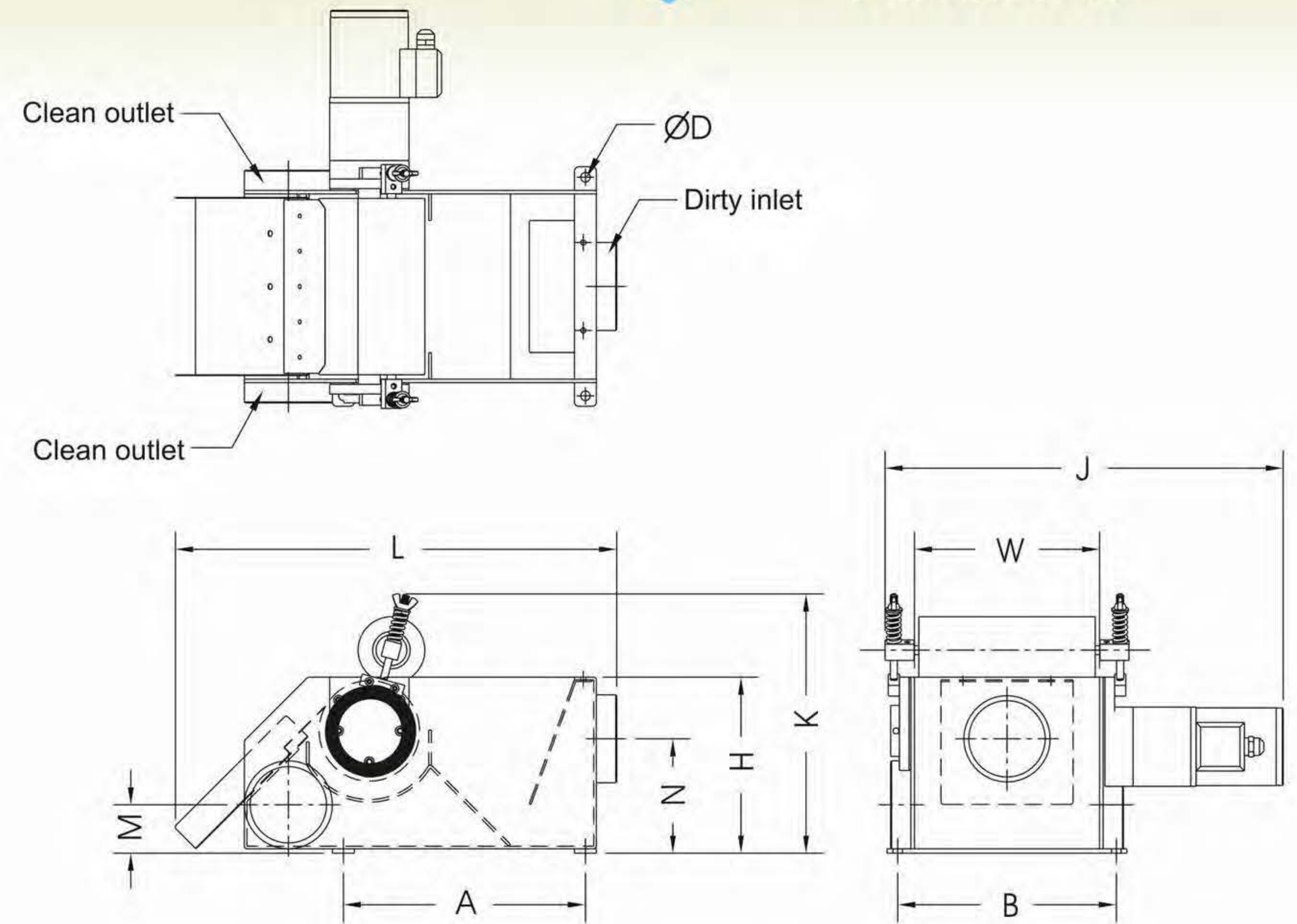
MCJ 40A~160A

DIMENSION



MCJ 240A

DIMENSION



FEATURES:

1. Use superior ferrite permanent magnets and by best magnetic circuit design, the attractive forces are the best among similar products.
2. External area of magnetic drum is filled with magnetic force, perform best in filtration process.
3. Frame is die-cast by aluminum-alloy. Super appearance and leak-proof. Un-attractive to magnetic force. (Note 3)
4. You can adjust the upper scraper while it is wearing.
5. The magnetic drum can attract the impurities from the coolant. After squeezing, it can be discharged automatically and without any consumption.
6. If you want to filter the carbide, carbon remover of hardened steel and oil coolant, we suggest you to purchase **super magnetic separator MCJ-※※HK**.

DUCK MAGNETIC SEPARATOR SPECIFICATIONS

MODEL	FLOW RATE L/MIN	L	W	H	M	N	A	B	D	J	K	INLET O	OUTLET P	MOTOR NOTE 2
MCJ-40A	40 Note1	464	150	165	50	110	398	120	Ø 11	353	280	PT 2"	PT 2"	200/220V 3Ø 25W
MCJ-60A	60		206	185				176		409				
MCJ-80A	80		242	185				212		445				
MCJ-120A	120	485	270	220	60	140	275	230	Ø 11	473	315	PT 3"	PT 3"	200/220V 3Ø 40W
MCJ-160A	160		354	220				314		557				
MCJ-240A	240		450	200				488		690				

- Note: 1. Disposal capacity for oil coolant shall be 1/2-1/4. (Depending on viscosity)
 2. In order to reduce the grease rate of exhausting sludge, the ratio of speed-reducing on the gear shall be increase to 1/900. (Extra option)
 3. Except MCJ-240A.