



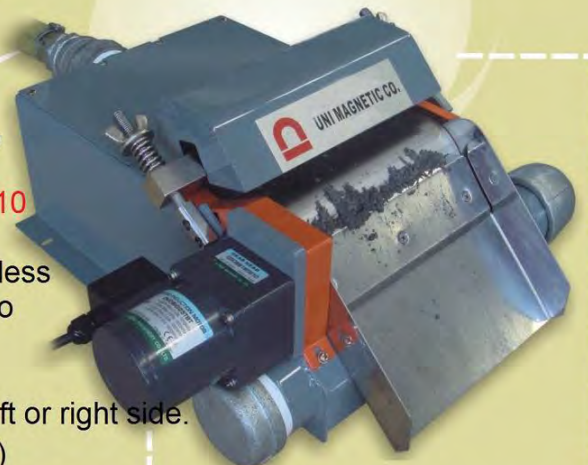
EASY SUPER MAGNETIC SEPARATOR

1. Surface grinder
2. Centerless grinder
3. Internal/External grinder
4. Honing machine
5. Thread grinding machine
6. Gear grinding machine
7. Electric discharge machine
8. Polisher

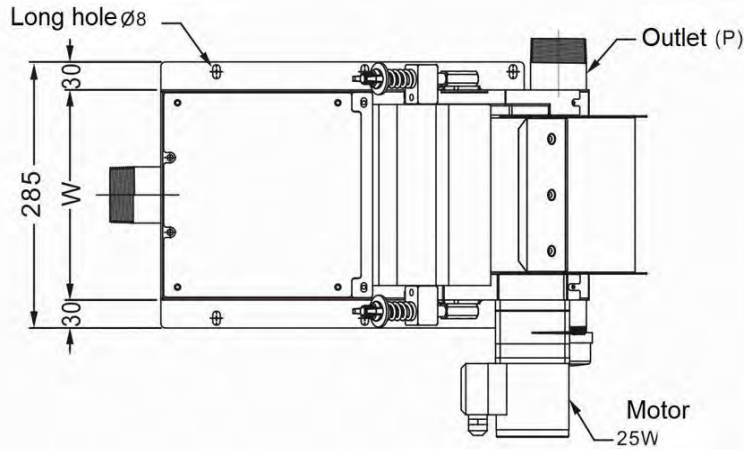


MSK-150 Color : RAL 7031

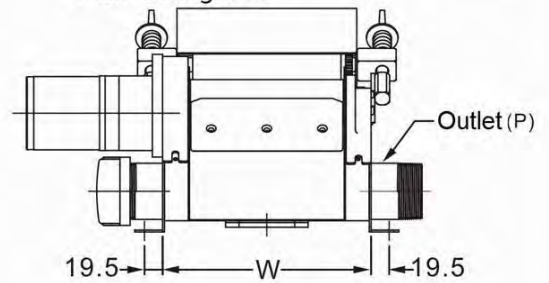
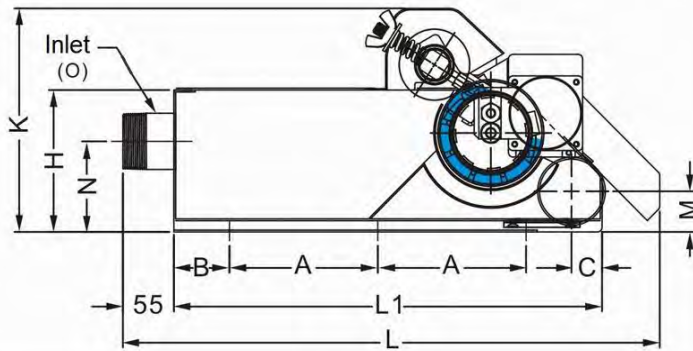
1. According to 30 year experience and customer's require, we supply this perfect model.
2. To adopt the advanced and super rare earth magnet that is **10 times for conventional ferrite magnet.**
3. The magnet suction area was made with non-magnetic stainless steel tube. As the coolant pass through this area, it is easy to discharge the chips.
4. It is easy to adjust the gum roller
5. The outlet of magnetic separator can be set on the bottom, left or right side.
6. You can choose the motor position (Standard type is left side)
7. The outlet of sludge is non-magnetic and easy to discharge. The scraoer is durable for using.
8. The magnetic drum can attrac the impurities from the coolant. After squeezed, it can be discharged automatically. Without any consumption.
9. **It can filter the carbide and heat-treating steel.**
10. The oil coolant can get a good efficiency, it not only save the expense for the second filter but also reduce the second filter burden.
11. The scraper with great inclination and no hardened chips will be accumulated on it.



Dimension



Peak value of magnetic zone is higher than 4200 gauss



Specification

Model	Flow rate L/MIN	L	L1	W	H	M	N	A	B	C	K	Inlet (O)	Outlet (P)	Motor
MSK-20	20	434	318	155	139	37	79	113	30	28	226	PT 1 1/2"	PT 1 1/2"	220V 3Ø 25W
MSK-30	30	434	318	190	139	37	79	113	30	28	226	PT 1 1/2"	PT 1 1/2"	220V 3Ø 25W
MSK-40	40	502	386	190	139	37	79	133.5	47	28	226	PT 1 1/2"	PT 1 1/2"	220V 3Ø 25W
MSK-60	60	579	462	225	152	43.5	97	160	60	33	239	PT 2"	PT 2"	220V 3Ø 25W
MSK-80	80	579	462	260	152	43.5	97	160	60	33	239	PT 2"	PT 2"	220V 3Ø 25W
MSK-100	100	589	470	295	160	48	105	167.5	55	45	247	PT 2 1/2"	PT 2 1/2"	220V 3Ø 25W
MSK-150	150	616	490	365	170	53	112	167.5	60	47.5	257	PT 3"	PT 3"	220V 3Ø 25W
MSK-180	180	600	490	435	177	56	122	167.5	60	49.5	264	PT 3"	PT 3"	220V 3Ø 25W
MSK-240	240	651	510	505	207	71	142	167.5	60	61.5	294	PT 3"	PT 4"	220V 3Ø 25W
MSK-300	300	651	510	645	207	71	142	167.5	60	61.5	294	PT 4"	PT 4"	220V 3Ø 25W

1. Disposal capacity for oil coolant shall be 1/2-1/4. (Depending on viscosity)
2. In order to reduce the grease rate of exhausting sludge, the ratio of speed-reducing on the gear shall be increase to 1/900~1/1800. (Extra option)
3. If the sludge is more rough (over 50u~100u) and easy to attract, selecting the conventional ferrite magnet to reduce the purchasing cost. (MSK-***F)
4. As you use the oil coolant or emulsion-type coolant, the gum roller is easy to slip. You can use dual driven (motor & gum roller) magnetic separator to solve this problem. Model: MSKD-***F.

OILSERVE

บริษัท ออยเซอร์ฟ จำกัด
OILSERVE CO., LTD.

9 ซอยทวีวัฒนา 25 แยก 7 แขวงทวีวัฒนา เขตทวีวัฒนา กรุงเทพฯ 10170
9 Soi Thawi Watthana 25 Yeak 7, Thawi Watthana, Thawi Watthana, Bangkok 10170
Tel: (+662) 441 9247 Fax: (+662) 441 9248 TAX ID: 0105553015358
E-mail: sales@oilserve-thai.com, oilserveco@gmail.com, www.oilserve-thai.com

110622-1000



ISO 9001
FM 518819