

A DISC TYPE OIL SKIMMER



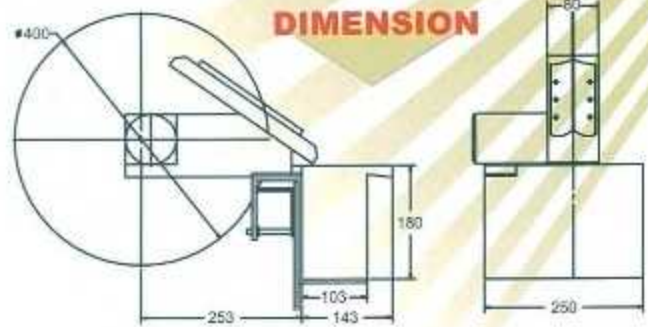
COOLANT TANK

- Notes:**
1. Special specifications are available
 2. Another model with concealed permanent magnet eliminating floating impurities on the oil surface.

OIL SKIMMER

Feature

1. Removing floating oil on coolant surface, preventing coolant from deterioration.
2. Equipped with oil/water separating tank removing floating oil only.



SPECIFICATIONS

MODEL	DISC DIA. (MM)	MOTOR (W)	RETARDING RATIO	OIL LEVEL CHANGE
DS-3	300	25	1/180	50
DS-4	400	25	1/180	90
DS-6	600	25	1/180	150

B NET TYPE OIL SKIMMER



OIL SKIMMER

PAPER FILTER

SPECIFICATIONS

MODEL	STAINLESS-STEEL NET WIDTH	MOTOR (W)	RETARDING RATIO
OSA-4	100mm	25	1/180

NOTE: Special specifications are available.

C BELT TYPE OIL SKIMMER



OSC-2

OS-20

SPECIFICATIONS

MODEL	BELT WIDTH (mm)	MOTOR	L x W x H (mm)
OSC-2	40	6W 220V 1Ø	190x102x155
OSC-2T	40	6W 220V 1Ø	190x102x155
OS-2	40	6W 220V 1Ø	184x150x180
OSB-4	100	25W 220V 3Ø	288x180x180
OS-20	20	25W 220V 3Ø	166x114x280

NOTE:

1. Standard belt is suit for height of tank 150–200mm.
2. Special specification please indicate height of tank.