



OIL RECOVERY CENTRIFUGE

Oilmax

Recover oil from Machining chips & Components



- **Complete Oil recovery**
- **Improved Product finish**
- **Reduced oil consumption**
- **Save over 1000 Ltrs oil per month**
- **Substantial savings on cost of oil**
- **Reduced pollution & environmental impact**

Improve Product Quality, Reduce Oil Expenses



Applications

- ◆ Gear Mfg.
- ◆ Fastener Mfg.
- ◆ Spring Mfg.
- ◆ Gun Drilling
- ◆ CNC Machines
- ◆ Auto Components

One Time Installation, Lifelong Savings



ORC 25

ORC 45

Use your Oil maximum



Use *Oilmax*
Save Environment

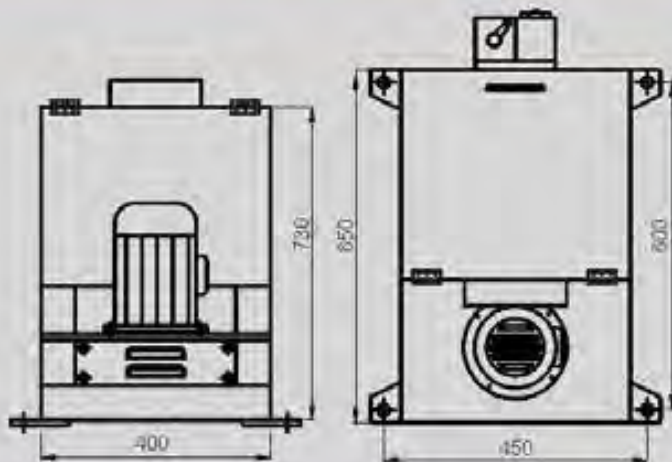
Working Principle



Oil Recovery Centrifuge works on principle of centrifugal separation. Rotor bowl made of perforated steel screen is driven by motor. Chips / Parts from which oil is to be recovered are loaded in the rotor bowl. Centrifugal force created in the rotor separates oil from surface of Chips / Parts.

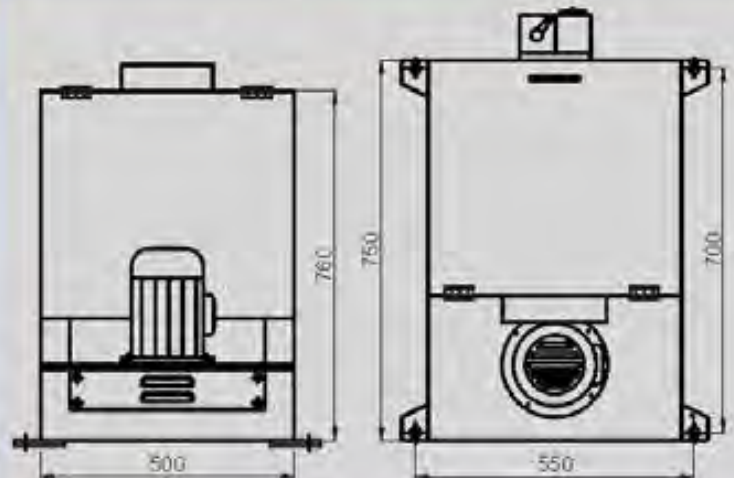
Collected oil is drained out by opening valve provided at the bottom of unit.

ORC 25



Rotor Volume: 25 Ltrs

ORC 45



Rotor Volume: 45 Ltrs

Installations



OILSERVE

บริษัท ออยเซอร์ฟ จำกัด
OILSERVE CO., LTD.

9 ซอยทวีวัฒนา 25 แยก 7 แขวงทวีวัฒนา เขตทวีวัฒนา กรุงเทพฯ 10170
9 Soi Thawi Watthana 25 Yeak 7, Thawi Watthana, Thawi Watthana, Bangkok 10170
Tel: (+662) 441 9247 Fax : (+662) 441 9248 TAX ID : 0105553015358
E-mail : sales@oilserve-thai.com, oilserveco@gmail.com, www.oilserve-thai.com

