



UNIMAG BELT TYPE OIL SKIMMER

The Belt Type Oil Skimmer is equipped with oil/water separating tank, removing floating oil only and clean coolant draining back to coolant tank.

Benefits of Oil Skimmer

- Most inexpensive way to remove oil from water
- Saves coolants by removing tramp oil
- Conserves parts wash water by removing oily wastes
- Prevents plugging of spray heads and filters
- Reduces fluid disposal costs
- Skimmed oil can be recycled and reused as a lubricant or fuel
- Helps meet government requirements for water discharge



OS-40

Applications

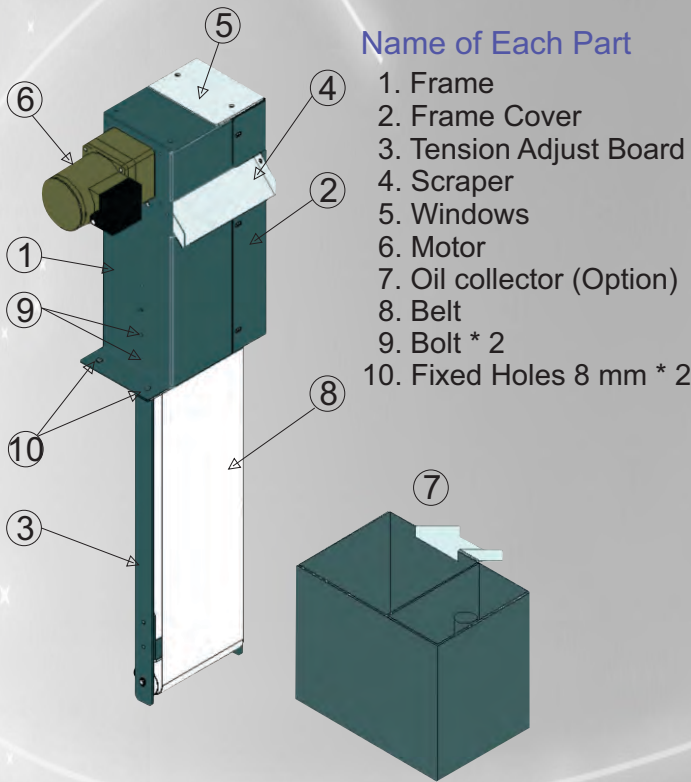
- Wastewater sumps
- Parts washers
- Coolant systems
- Heat treating fluids
- Food processing plants
- Parking lots, garages, and service facilities
- Underground tanks



OS-20

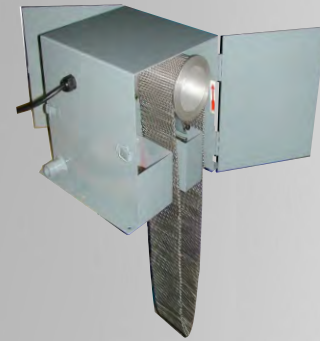


UNIMAG BELT TYPE OIL SKIMMER SPECIFICATION

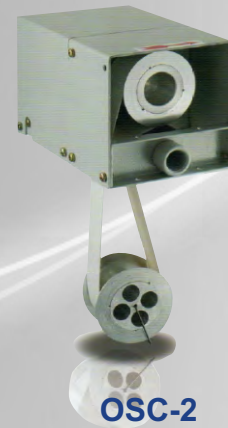


Name of Each Part

1. Frame
2. Frame Cover
3. Tension Adjust Board
4. Scraper
5. Windows
6. Motor
7. Oil collector (Option)
8. Belt
9. Bolt * 2
10. Fixed Holes 8 mm * 2



OSA-4 Net type oil skimmer



OSC-2

MODEL	BELT WIDTH (mm)	MOTOR (W)	RETARDING RATIO
OS-20	20	6 W 220 Vac 1 ø	1/180
OSC-2	40	6 W 220 Vac 1 ø	1/180
OS-40	40	6 W 220 Vac 1 ø	1/180
OSA-4	100	25 W 220 Vac 1 ø	1/180
OS-40AC	40	25 W 220 Vac 1 ø	1/180
OS-100	100	25 W 220 Vac 1 ø	1/180
OS-150	150	25 W 220 Vac 1 ø	1/180

Note : 1. Standard belt is suit for height of tank 150 ~ 200 mm
2. Other specification is available. Please specify your tank height when order