

DRUM-TYPE PAPER FILTER

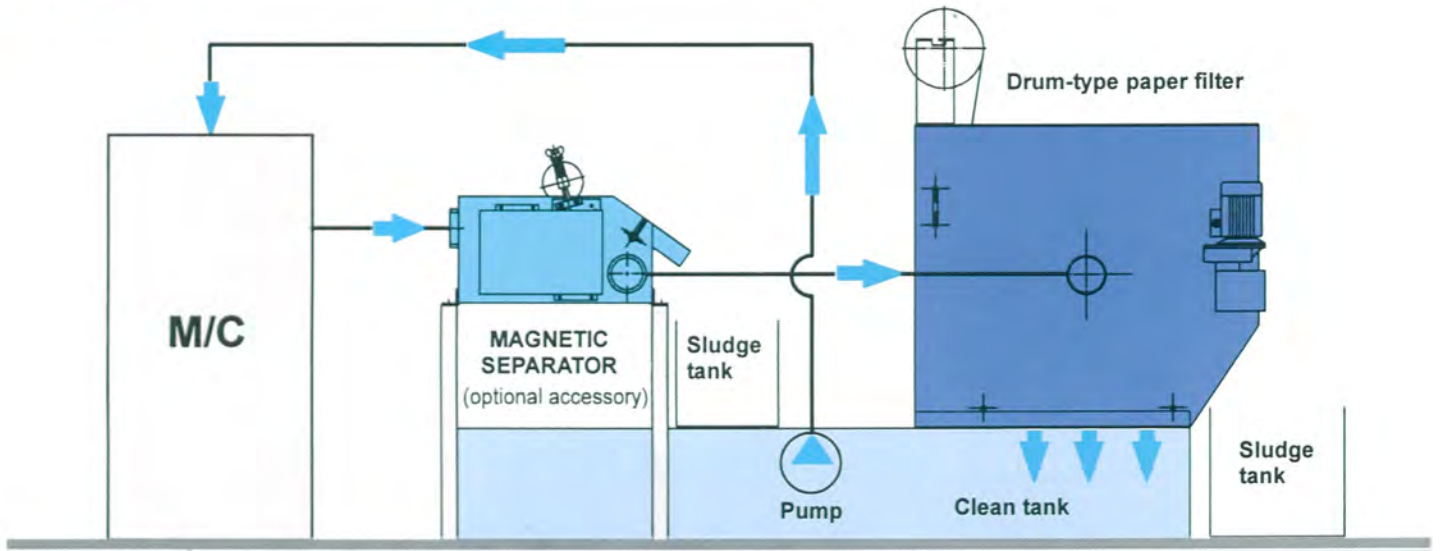
COOLANT FILTRATION DEVICE



FEATURES:

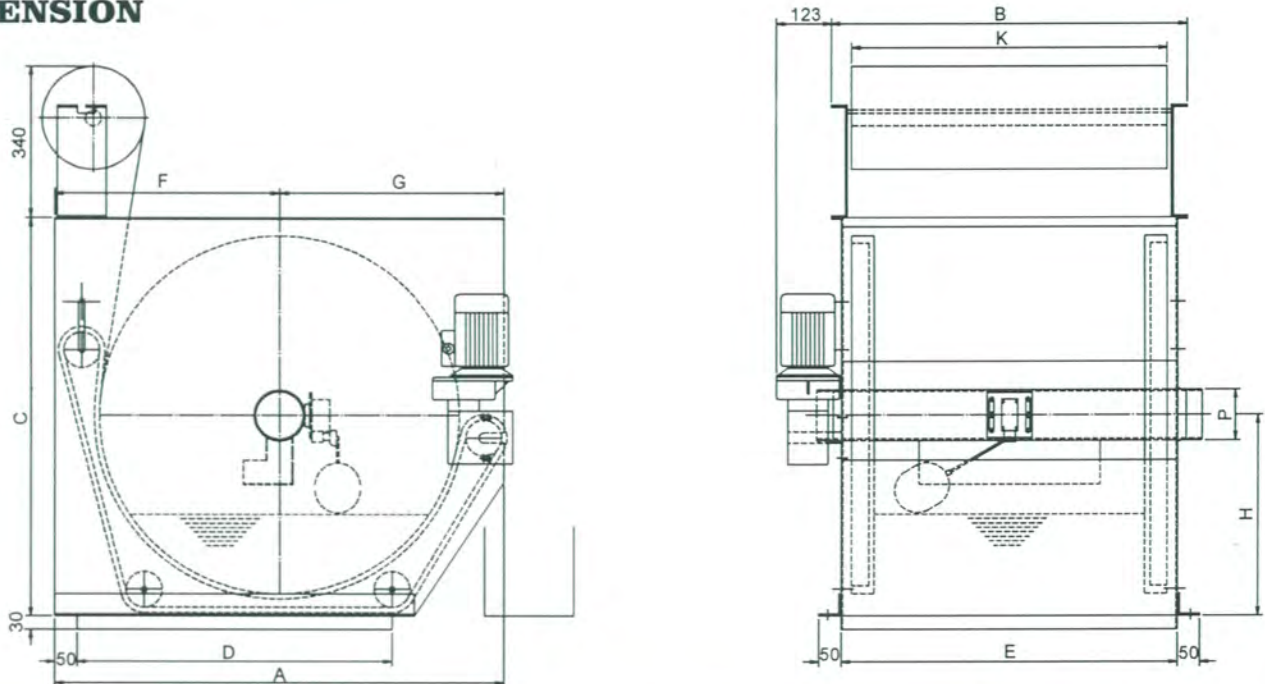
1. Occupy small space, only 1/3 of conventional paper filter.
2. Suitable for coolant filtration to extend change frequency of coolant.
3. Available to filter coolant of ferrous metal, non-ferrous metal and non-metal materials.
4. Full-auto discharge to produce clean coolant so as to provide brilliant surface of workpiece.
5. Filtration effect is subject to paper band. Choose 50 μ , 30 μ or 15 μ .
6. Available to be equipped with magnetic separator for rough filtration to satisfactorily reduce filter paper consumption.

FLOW



- Notes: 1. Catalogue of optional accessories is available upon request.
 2. Tank, pump and sludge tank shall be provided according to special requirement of customer.

DIMENSION



MODEL	PAPER WIDTH	DRUM DIA	A	B	C	D	E	F	G	H	MOTOR	INLET
DF-140	500	Ø560	755	590	650	580	546	380	375	330	250W	PT3"
DF-200	700	Ø560	755	790	650	580	746	380	375	330	250W	PT3"
DF-360	700	Ø800	1000	790	890	700	746	500	500	450	250W	PT4"
DF-500	1000	Ø800	1000	1090	890	700	1046	500	500	450	250W	PT4"
DF-1000	1000	Ø1000	1200	1090	1100	890	1048	600	600	560	250W	8"Flange 5K
DF-1500	1500	Ø1000	1200	1590	1100	890	1548	600	600	560	250W	8"Flange 5K
DF-2000	2000	Ø1000	1200	2090	1100	890	2048	600	600	560	250W	8"Flange 5K