



# DUST & MIST COLLECTOR

## Applicable to the machines:

- |                     |                         |
|---------------------|-------------------------|
| 1. CNC Lathe        | 2. CNC machining center |
| 3. CNC Grinder      | 4. Centerless grinder   |
| 5. Surface grinder  | 6. Cylinder grinder     |
| 7. Internal grinder | 8. Washer               |

DUST & MIST



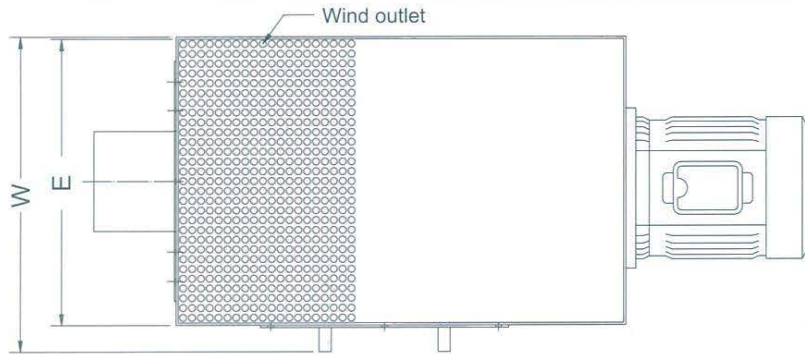
DC-10

## FEATURES:

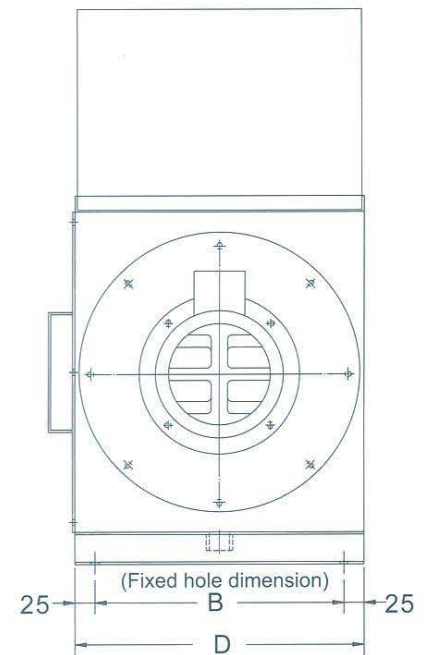
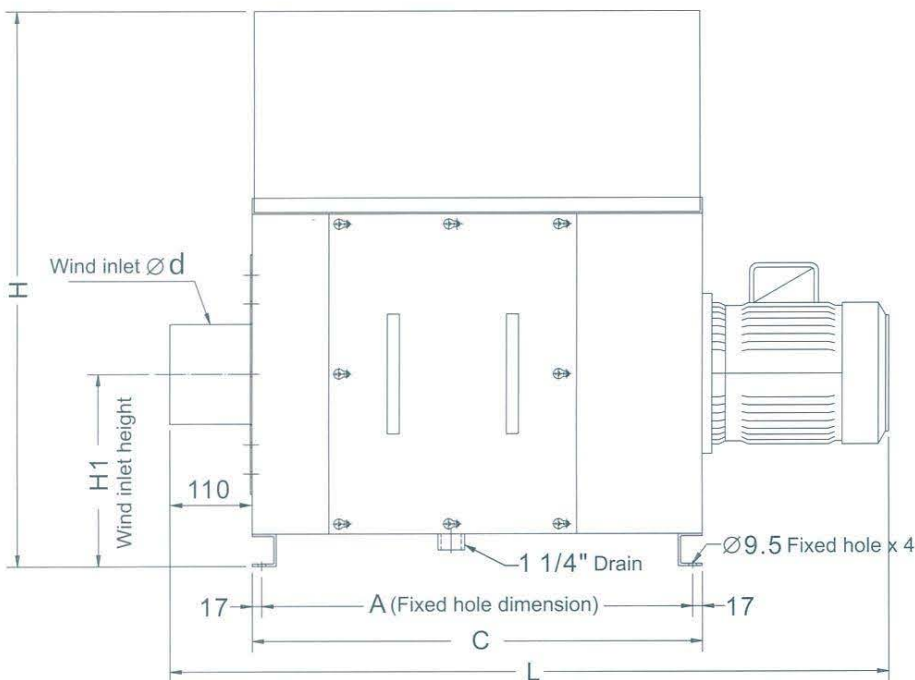
1. Work as high-efficiency eccentricity of revolving impeller through rough, middle, fine, and HEPA multilevel filtration material to filter dust and mist periodically. Filtration effect reaches 99.97%.
2. Mist and particle dust resulted from cutting and grinding will make a big multilevel, deep-seated filtration. No blockage, easily pull out for clearance and change.
3. Clean up, then rough liner can be used repeatedly.

## Solving problems of dust, and mist (water or oil):

1. Jeopardy of human health: Lung sucks dust, mist or skin sticks these will result in headache, and allergy.
2. The reason of twice injury: Dust and mist spray on ground to make workers have slippery injury accidentally.
3. Reduction of productivity: Labors will lower working will and reduce productive efficiency where a place is around dust and mist.
4. Environment pollution and energy wastage: To drain out dust and mist to without refillable will pollute environment and reduce chilling efficiency of air-conditioned room which make electricity bill increase.
5. Effect of fire censor: Fire censor may lose function when covering dust and mist.
6. Effect of parent machine: The main reason for causing the electricity damage is that dust and mist run into electrical box.



**DC-1~30**  
DIMENSION



## DUST AND MIST COLLECTOR SPECIFICATIONS:

MODEL	A	B	C	D	$\varnothing d$	E	H	H1	L	W	MOTOR	POWER	DISPOSAL CAPACITY $m^3/min$	COLLECTION EFFICIENCY OF PARTICULATE	NOISE db	MAX. SUCTION TEMPERATURE
DC-1	526	310	560	360	5"	360	692	240	894	393	1HP	220V 3 $\varnothing$	28	95% 0.5 $\mu$	69	MA X 75°C
DC-10	666	450	700	500	5"	500	836	313	1035	533	1HP	220V 3 $\varnothing$	22	99.9% 0.3 $\mu$	69	MA X 75°C
DC-20	666	600	700	650	6"	650	990	390	1115	683	2HP	220V 3 $\varnothing$	32	99.9% 0.3 $\mu$	71	MA X 75°C
DC-30	666	750	700	800	8"	800	1130	460	1115	833	3HP	220V 3 $\varnothing$	43	99.9% 0.3 $\mu$	73	MA X 75°C

Note: 1. Wind inlet diameter is available upon request.

2. When circle frequency is 50Hz, wind strength is multiple 0.8 disposal capacity as mentioned above.

080319-500

**OILSERVE**

DISTRIBUTED BY:

**Oilserve Co., Ltd.**

9 Soi Thawi Watthana 25 Yeak 7

Thawi Watthana, Thawi Watthana, Bangkok 10170

[www.oilservethai.com](http://www.oilservethai.com)

Tel : 02 441 9247 Fax : 02 441 9248

E-mail : [oilserveco@gmail.com](mailto:oilserveco@gmail.com), [sales@oilservethai.com](mailto:sales@oilservethai.com)



ISO 9001  
FM 518819