

SAVIOUR OF EDM OIL

# PORTABLE CANDLE FILTER

## ▶ Application

1. Electrical discharge machine
2. Tungsten carbide tool grinder

## ▶ Max. Permissible Oil Viscosity

1. Grinder-under 45 SUS (100°F, 37.8°C)
2. EDM-under 37 SUS (73°F, 22.8°C)

## ▶ Filtration Efficiency

1~3μ

## ▶ Color

RAL7031 Grey

◀◀◀ **CF2MP**



Filter Element ▶

Disc ▶

## Feature

1. Coolant filtration system for edm and grinding fluid.
2. Each candle-like filter element is composed of thousands of thin wafers and compressed tightly by springs. When dirty fluid passes through tiny gaps between wafers, all particles over one micron are trapped on the outside edge of filter elements. Filter efficiency reaches 1-3micron.
3. Automatically cleaned by a rapid backwash cycle. Use air to blow out particles trapped on elements and then deposit them into a sludge basket.
4. Life span of filter elements lasts several years. (Please use recommended circulation oil.)

**Recommended Oil**  
(No water mixed, which will deteriorate oil quality and reduce flow rate.)

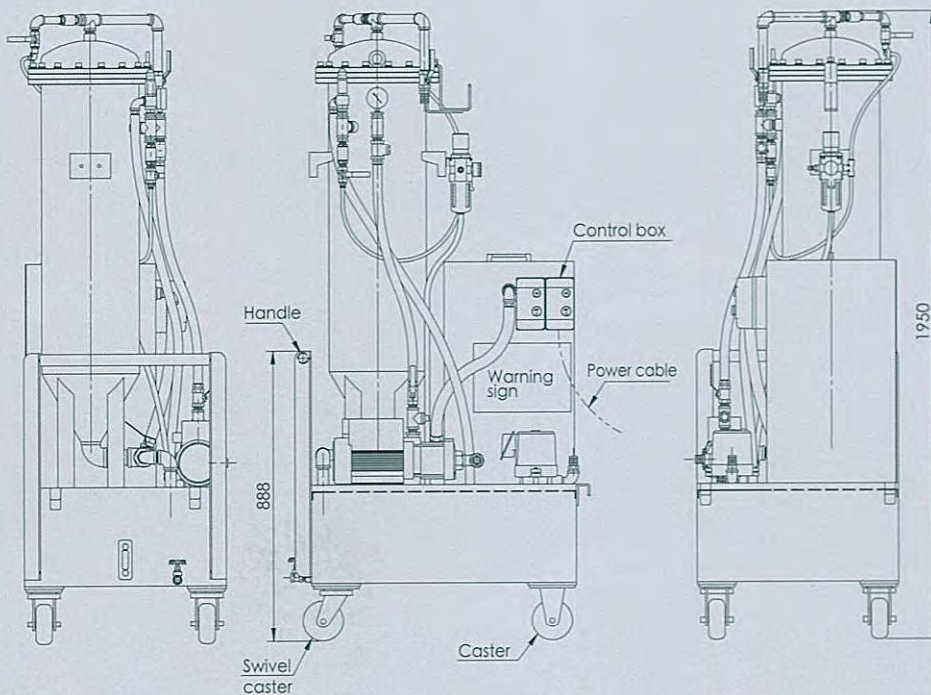
## Grinding Oil

BRAND	VISCOSITY	FLASH POINT
CROWN CUT 850	43 SUS@ 100°F	266°F
Sintogrind TT	45 SUS@ 100°F	320°F
Castrol 488 CF	45 SUS@ 100°F	230°F
Castrol Honilo 980	43 SUS@ 100°F	250°F
OMNI-Grind V	37 SUS@ 100°F	239°F
Norpar 15	33 SUS@ 100°F	240°F
Emol-O-Grind 168/3	45 SUS@ 100°F	266°F

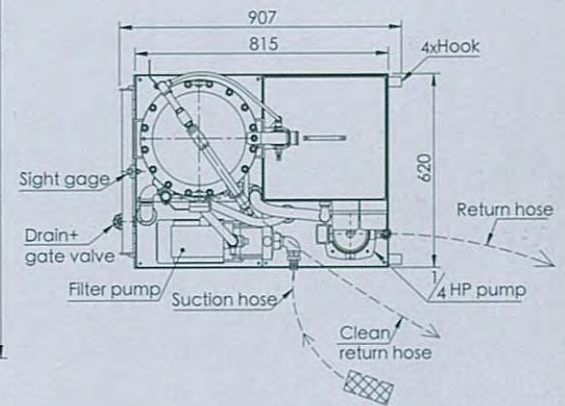
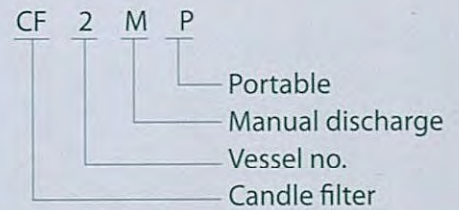
## EDM Oil

BRAND	VISCOSITY	FLASH POINT
Castrol SE 180	37 SUS@ 100°F	212°F
US-1	36 SUS@ 70°F	240°F
US-2	32 SUS@ 77°F	165°F
US-3	34 SUS@ 77°F	210°F
Interlyte	37 SUS@ 72°F	220°F
Iono Plus	37 SUS@ 77°F	225°F
Commonwealth 259T	37 SUS@ 72°F	259°F
Commonwealth 244	37 SUS@ 72°F	244°F

## Outline Drawing



## Model Code



## Specification of Portable Candle Filter

MODEL	VESSEL NO.	CANDLE NO.	CAPACITY L/min	FILTER PUMP (NOTE)	L	W	H	SUPPLY PUMP
CF2MP	1	9	13.5	700~1060W	907	620	1950	1/4HP
CF2MP/13	1	13	19.5	700~1060W	907	620	1950	1/4HP
CF3MP	1	19	28.5	700~1060W	907	620	1950	1/4HP
CF3.5MP	1	37	55.5	1400~2050W	907	620	1950	1/4HP

Note: 1. Power of pump is different due to frequency and phase.

131210-2000