

Bar puller

Feature :

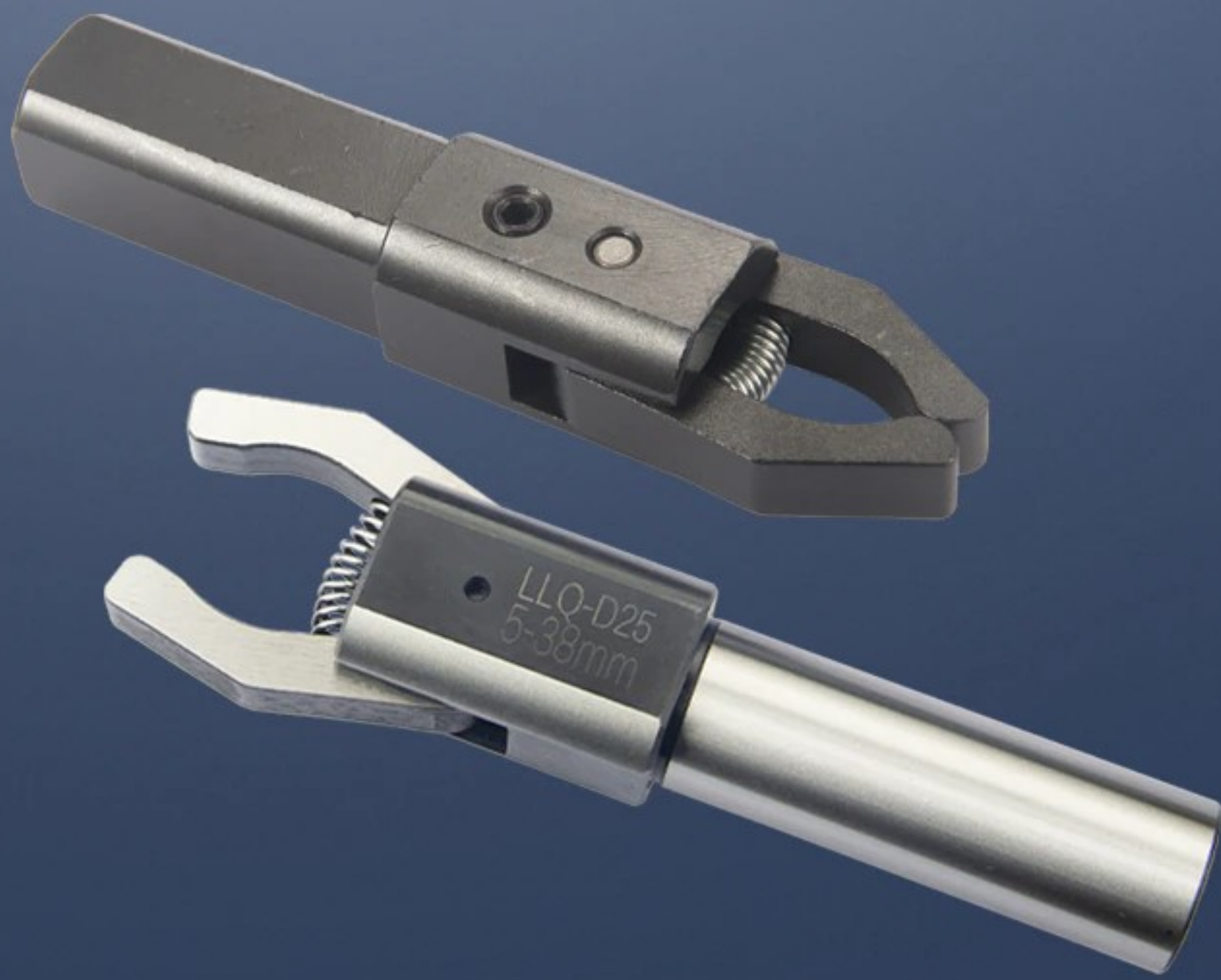
The cutter head is made of high-quality 40Cr material, and the cutter body is made of 65Mn material. The fire coating process is used to improve the corrosion resistance.

Strong pulling force does not fall off, realizes continuous turning cycle and improves processing efficiency

Easy to install and adjust the size automatically

HIGH QUALITY COATING WITHOUT BURR

High quality 40Cr material and high quality coating process are used to improve the corrosion resistance



CNC TWO CLAW PULLER

Strong bending strength and high efficiency anti breaking claw

High quality coating / High precision / High hardness



LARGE PULLING NO FALLING OFF

Improve the degree of automation of CNC lathe greatly improve the processing efficiency



CONVENIENT CLAMPING AND AUTOMATIC ADJUSTMENT

Align with the center area of the bar and the bar will automatically support into the puller.



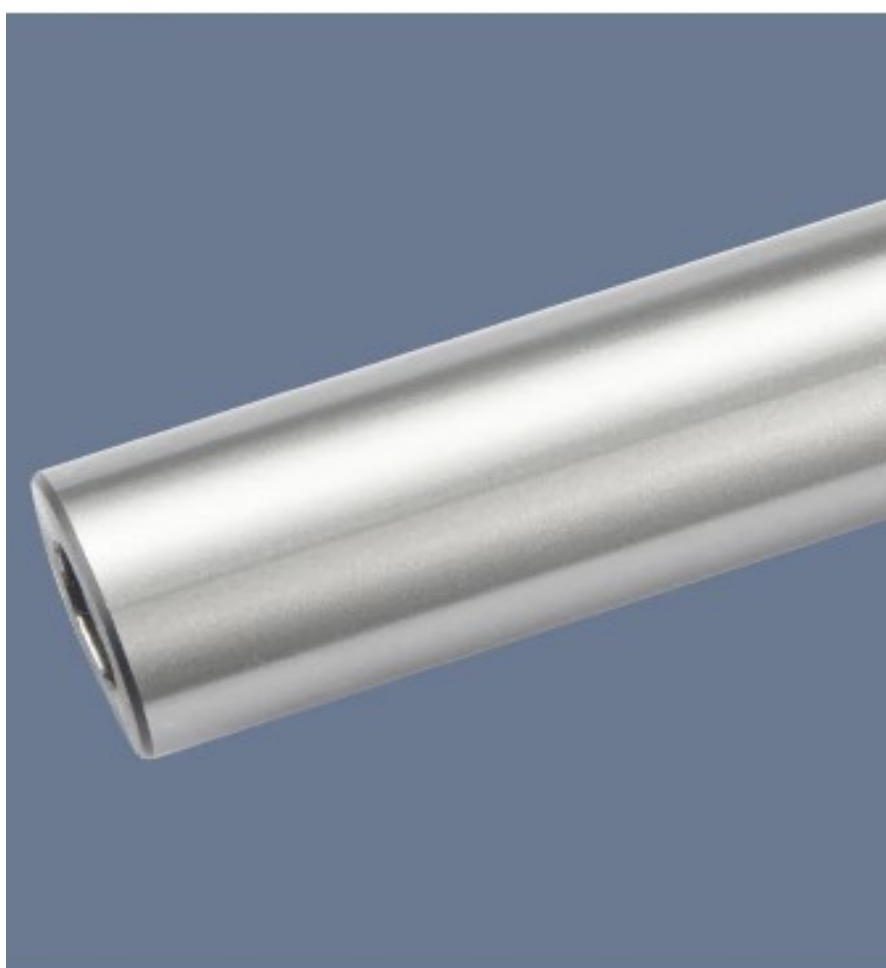
Bar puller

DETAILS HIGHLIGHT QUALITY

INTIMATE DESIGN INTENTIONS CRAFTED DETAILS

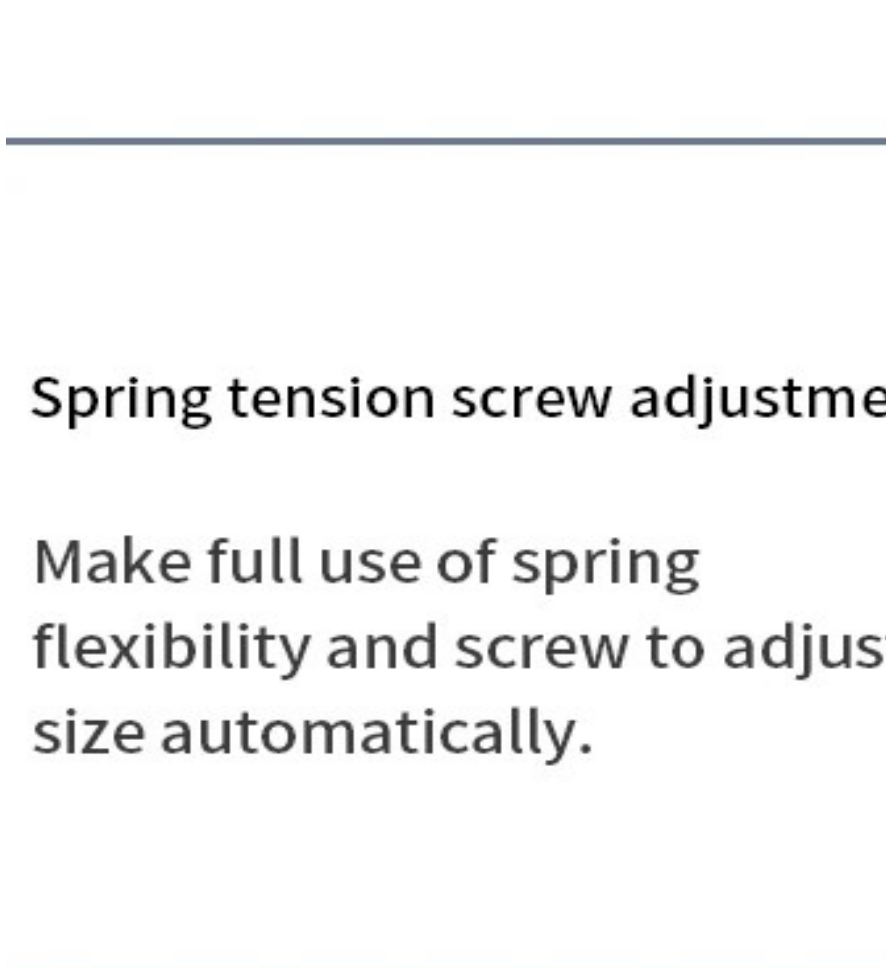
Automatic adjustment

The machine is equipped with pneumatic or hydraulic chuck, which can automatically clamp.



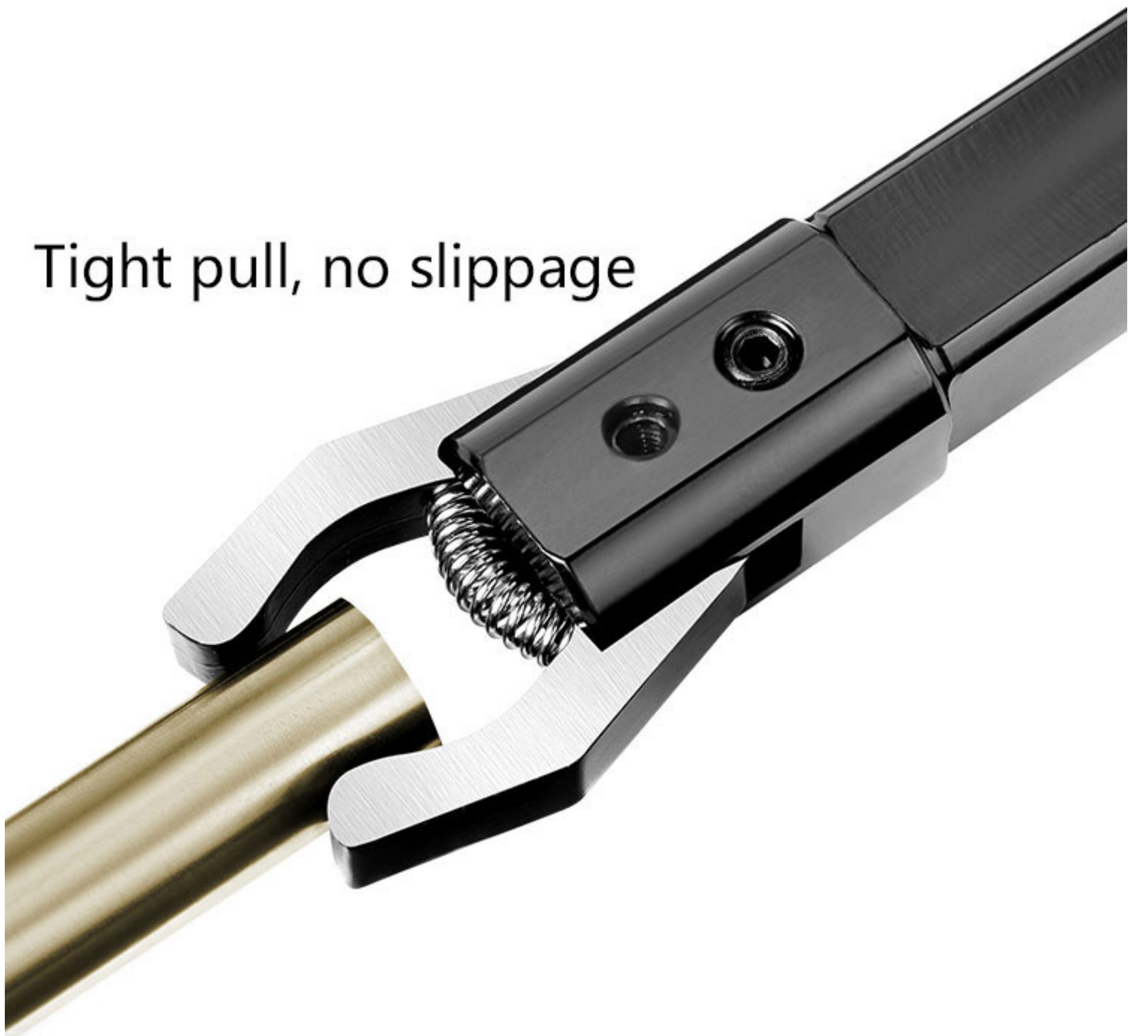
Preferred steel

The cutter body is made of 40Cr and 65Mn, with high precision and hardness.

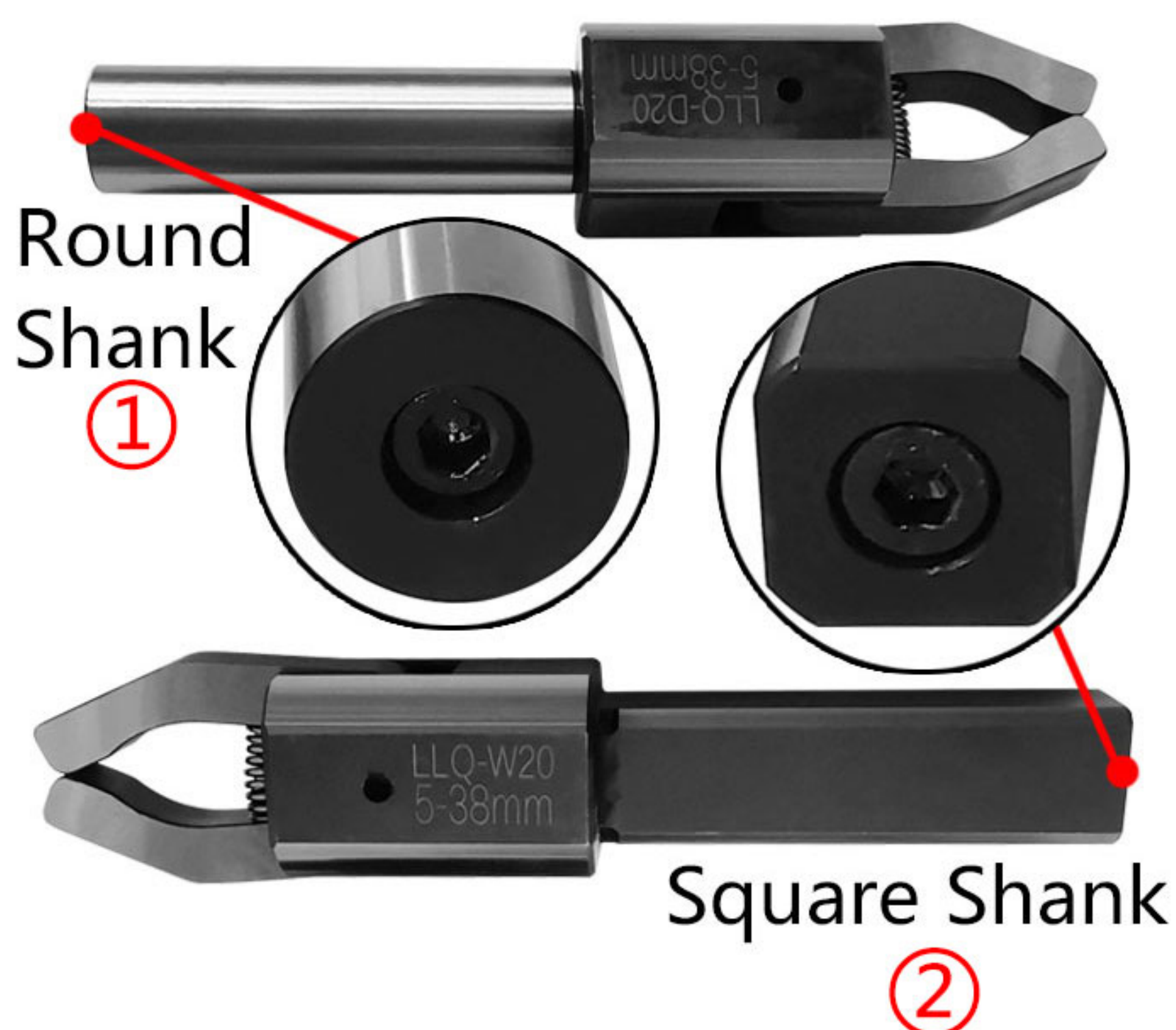


Spring tension screw adjustment

Make full use of spring flexibility and screw to adjust size automatically.

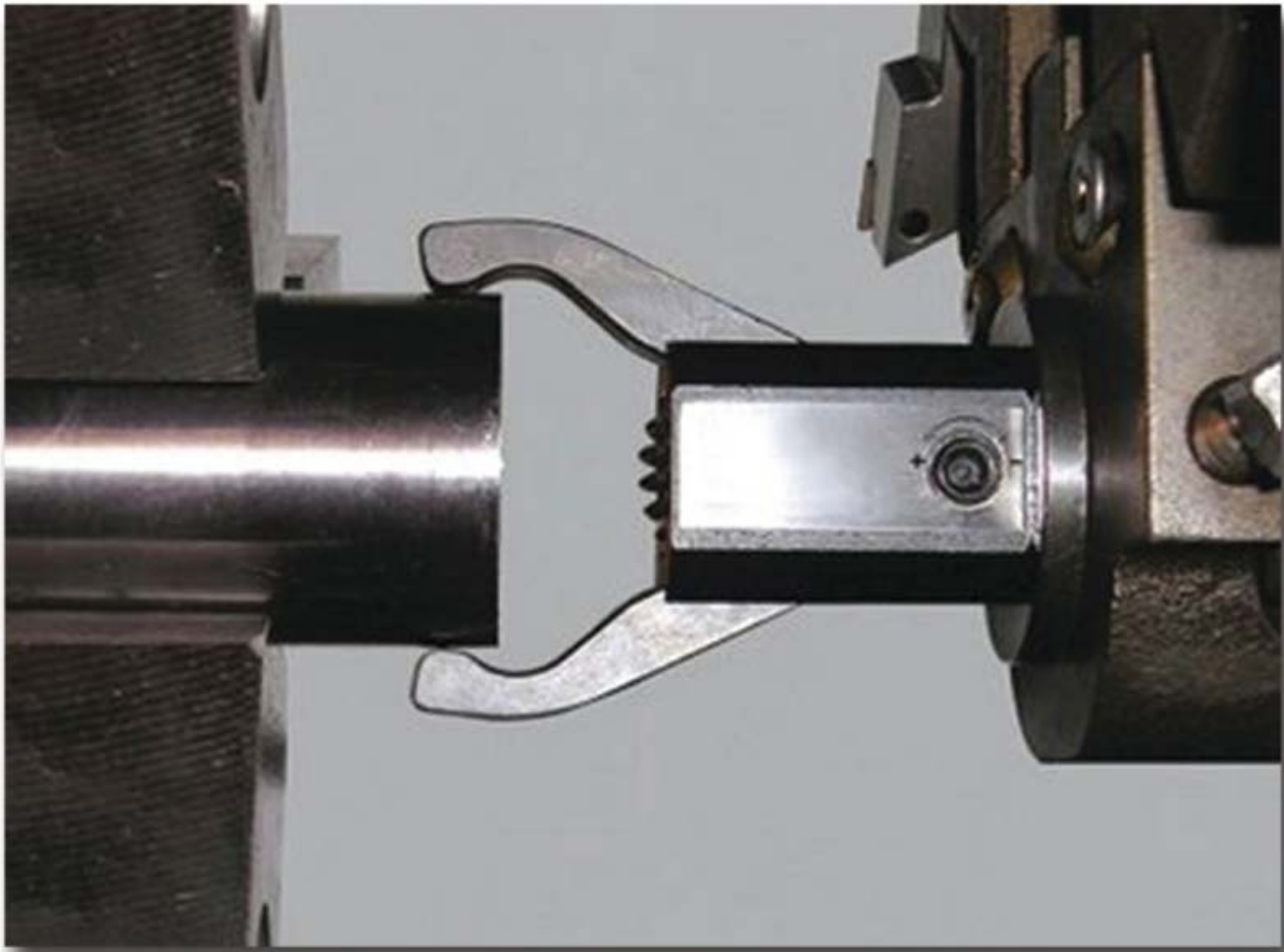


Adjustment of the draw by spring tension and contraction



Adjustment of the draw by spring tension and contraction The spring retracts to make full use of the screw to automatically adjust the size, align the central area of the bar, and the sheet is automatically propped into the puller to achieve automatic pulling.

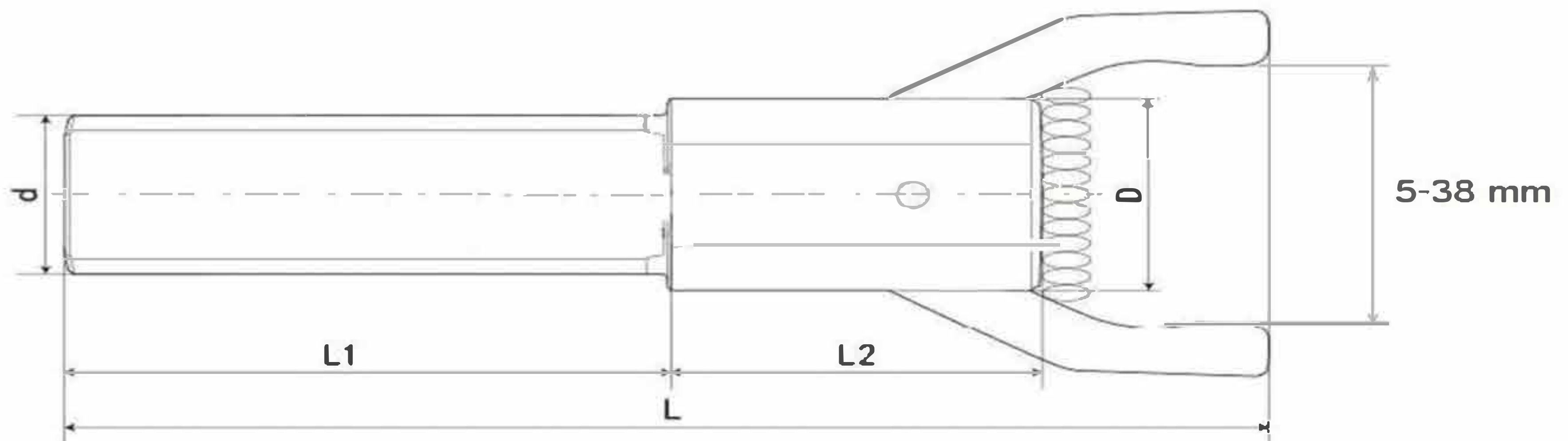
Bar puller



Square



Round



Model/Type	L	L1	L2	D	d	Shaft
LLQ-W16	159	75	47	30	16	Square
LLQ-W20	159	75	47	30	20	
LLQ-W25	159	75	47	30	25	
LLQ-D16	159	75	47	30	16	Round
LLQ-D20	159	75	47	30	20	
LLQ-D25	159	75	47	30	25	
LLQ-D32	159	75	47	30	32	

บริษัท ออยเซิร์ฟ จำกัด

9 ซอยทวีวัฒนา 25 แยก 7, แขวงทวีวัฒนา, เขตทวีวัฒนา, กรุงเทพฯ 10170

Tel. (66) 2 441 9247, (66) 2 888 9346, Fax. (66) 2 441 9248

Line ID : oilserve

E-Mail: sales@oilserve-thai.com, www.oilserve-thai.com