

*Equipped with
Pneumatic driven pump,
No Electricity needed!*

PORTABLE SLUDGE RECYCLING MACHINE

▶▶ TV-101

For Cutting

▼ TV-201

For Grinding
(Finer Filtration)



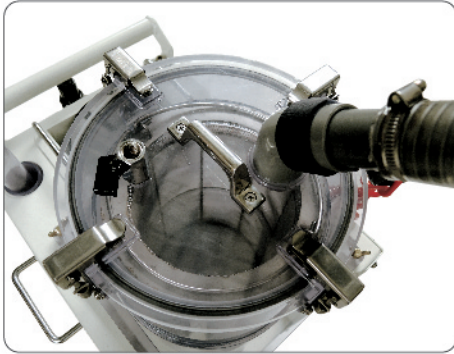
Application

- ▶ Hobbing Machine
- ▶ Milling Machine
- ▶ Turning Machine
- ▶ Grinding Machine
- ▶ Sawing Machine
- ▶ CNC Machining Center

Features

- ▶ Work with oil-based coolant, water-based coolant, sludge, and particles.
- ▶ Work with both metal and non-metal particles.
- ▶ Fast recycling and filtrating, does not need to stop the machine.
- ▶ Equipped with pneumatic driven pump, no electricity needed.
- ▶ Compact, light weighted, easy to move around narrow passages.
- ▶ Slightly drain, easy to recycle sludge.
- ▶ Reusable stainless steel net, no consumables.

TV-101



Transparent filter vessel that helps to see filtering at a glance.



Stainless steel net is reusable; no consumables.

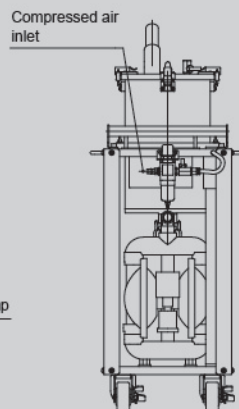
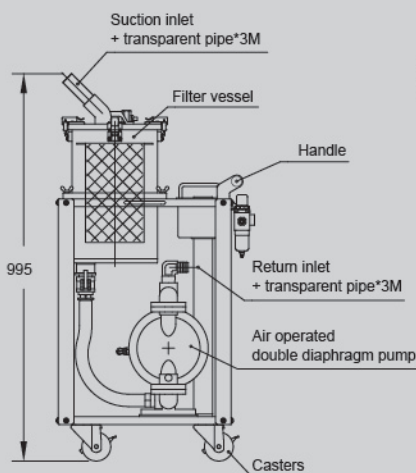
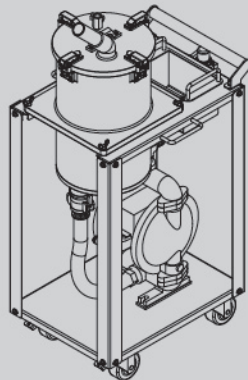
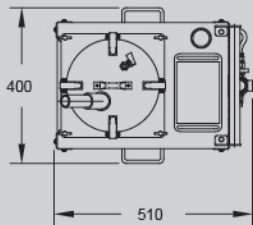
TV-201



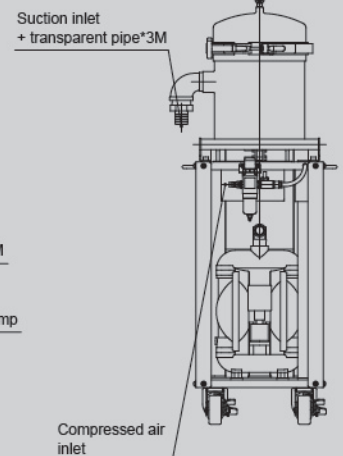
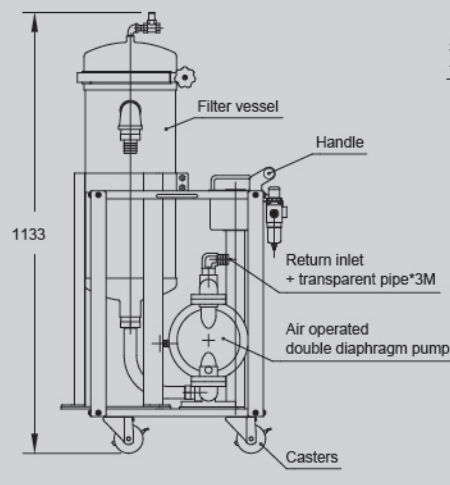
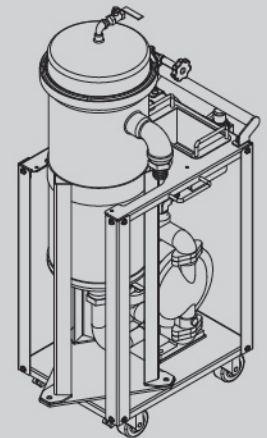
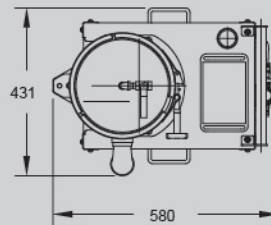
The optional filter bag fulfills fine filtration needs.

Outline Drawing

TV-101



TV-201



Dimensions

Model	Dimensions (mm)	Max Capacity (L/min)	Filter Net Volume (L)	Operating Pressure (MPa)	Filtration Efficiency (Mesh)	Weight (kg)
TV-101	W400*L510*H995	100	5	0.5	80 mesh	42
TV-201	W431*L580*H1133	100	8	0.5	■100μ □75u □50u □25u	42

